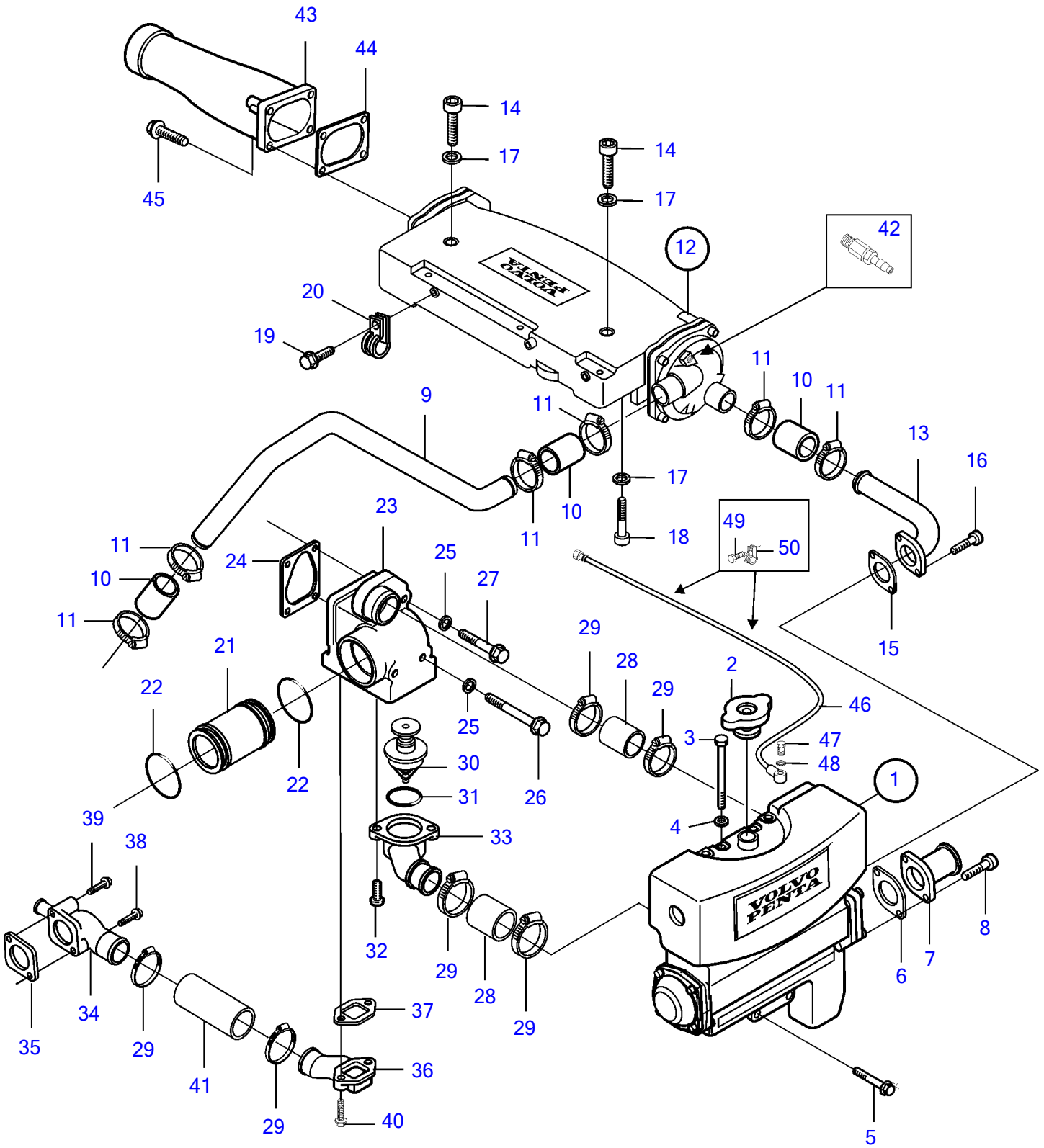


D7A-A TA, D7A-B TA, D7A-B TA, D7A-B TA



24157

D7A-A TA, D7A-B TA, D7A-B TA, D7A-B TA

REF	PART NO.	QTY	DESCRIPTION	SEE SEC.	NOTES
1	3838284	1	Heat exchanger	6423	
2	3838338	1	Pressure cap		(1 bar)
3	970893	2	Hexagon screw		L=150mm
4	940097	2	Washer		
5	947790	2	Flange screw		L=80mm
6	3838312	1	Gasket		
7	3838285	1	Flange		Sea water outlet for hose conection Ø42mm.
8	959239	2	Hex. socket screw		
9	888851	1	Seawater pipe		Sea water pump-charge air cooler.
10	858471	3	Hose		L=75mm
11	961671	6	Hose clamp		
12	3838415	1	Intercooler	6427	
13	3838293	1	Coolant pipe		
14	3587511	1	Screw		
15	3838312	1	Gasket		
16	959239	2	Hex. socket screw		L=30mm
17	20405802	4	Washer		
18	959223	2	Hex. socket screw		L=30mm
19	20405792	1	Screw		L=16mm
20	888852	1	Clamp		
21	888827	1	Water pipe		
22	20412325	2	O-ring		
23	888844	1	Thermostat housing		
24	888845	1	Gasket		
25	976945	2	Washer		
26	967825	2	Hexagon screw		L=165mm
27	888847	2	Hexagon screw		L=115mm
28	3838575	2	Hose		
29	961672	6	Hose clamp		
30	20450736	1	Thermostat		83°C
31	20459961	1	Sealing ring		
32	947760	2	Flange screw		
33	888849	1	Water outlet pipe		
34	888817	1	Water outlet pipe		
35	20412341	1	Gasket		
36	888818	1	Water inlet pipe		
37	888820	1	Gasket		
38	20460124	1	Flange screw		L=95mm
39	20405917	1	Screw		L=80mm
40	965216	2	Flange screw		L=55mm
41	888841	1	Hose		L=205mm
42	966871	1	Shut-off cock		
43	888771	1	Charge air pipe		
44	888775	1	Intake gasket		
45	945444	4	Flange screw		L=25mm
46	3839249	1	Hose	6499	L=980mm
47		1	Hollow screw		
48		2	Gasket		
49	952627	2	Clamp		
50	967949	2	Flange screw		