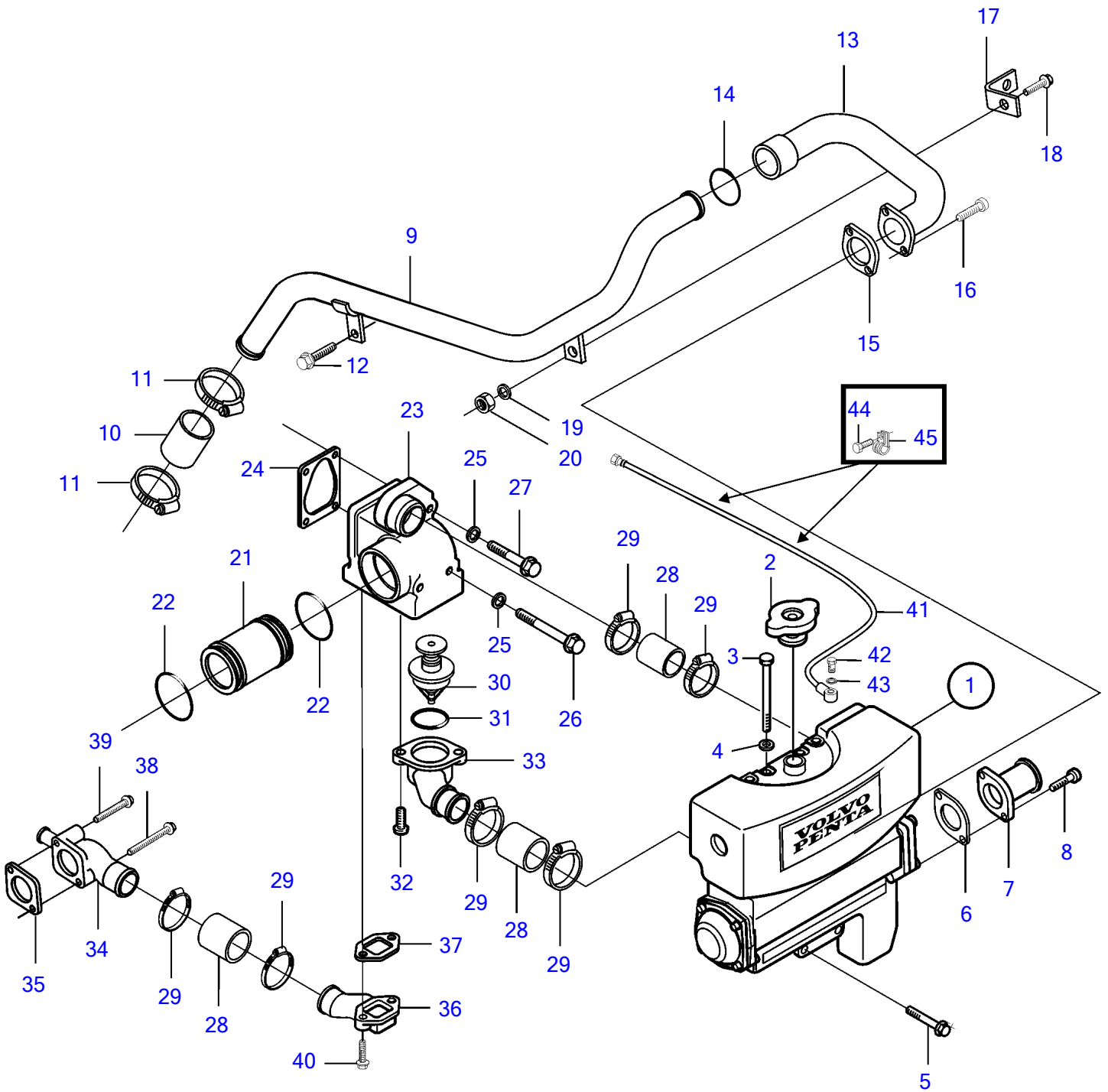


D5A-A T



24156

## D5A-A T

REF	PART NO.	QTY	DESCRIPTION	SEE SEC.	NOTES
1	3838284	1	Heat exchanger		
			.	6423	
2	3838338	1	Pressure cap		(1 bar)
3	970893	2	Hexagon screw		L=150mm
4	20549890	2	Washer		
5	947790	2	Flange screw		L=80mm
6	3838312	1	Gasket		
7	3838285	1	Flange		Heat exchanger-oil cooler, reverse gear., Earlier production, Sea water outlet for hose conection Ø42mm.
8	959239	2	Hex. socket screw		
9	3838291	1	Coolant pipe		
10	858471	1	Hose		L=75mm
11	961671	2	Hose clamp		
12	20405792	1	Screw		
13	3838289	1	Coolant pipe		
14	3838318	1	Sealing ring		
15	3838312	1	Gasket		
16	959239	2	Hex. socket screw		L=30mm
17	3838290	1	Bracket		
18	946173	1	Flange screw		L=20mm
19	20460127	1	Washer		
20	945408	1	Flange nut		
21	888827	1	Water pipe		
22	20412325	2	O-ring		
23	888844	1	Thermostat housing		
24	888845	1	Gasket		
25	976945	2	Washer		
26	967825	2	Hexagon screw		L=165mm
27	888847	2	Hexagon screw		L=115mm
28	3838575	3	Hose		
29	961672	6	Hose clamp		
30	20450736	1	Thermostat		83°C
31	20459961	1	Sealing ring		
32	947760	2	Flange screw		
33	888849	1	Water outlet pipe		
34	888817	1	Water outlet pipe		
35	20412341	1	Gasket		
36	888818	1	Water inlet pipe		
37	888820	1	Gasket		
38	20460124	1	Flange screw		L=95mm
39	20405917	1	Screw		L=80mm
40	965216	2	Flange screw		L=55mm
41	3839248	1	Hose	6498	L=710mm
42			Hollow screw	6498	
43			Gasket	6498	
44	967949	2	Flange screw		
45	952627	2	Clamp		