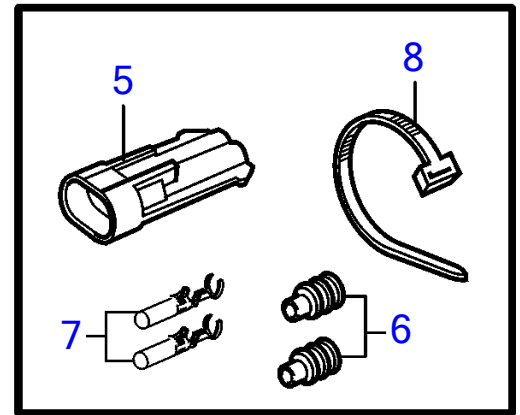
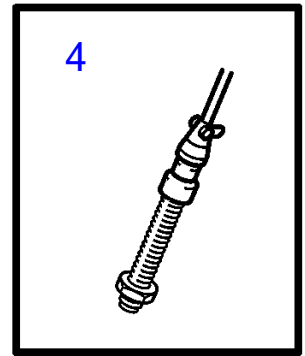
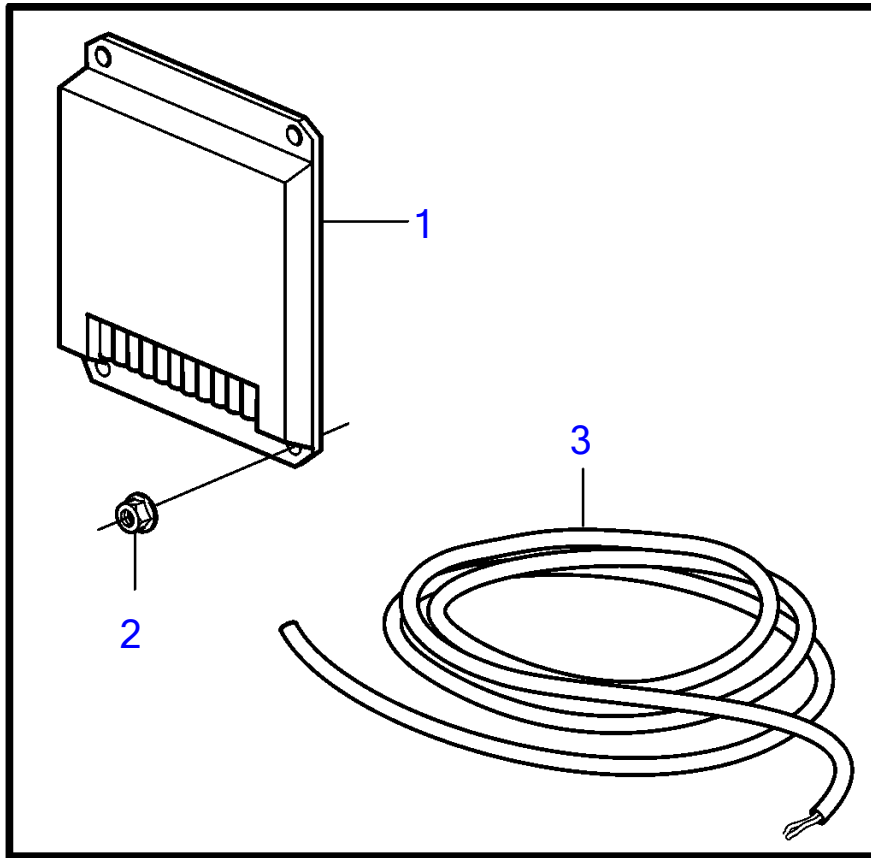


D5A-A T, D7A-A T, D5A-A TA, D7A-A TA, D5A-B TA, D5A-B TA, D5A-B TA, D7A-B TA, D7A-B TA, D7A-B TA



24167

D5A-A T, D7A-A T, D5A-A TA, D7A-A TA, D5A-B TA, D5A-B TA, D5A-B TA, D7A-B TA, D7A-B TA, D7A-B TA

REF	PART NO.	QTY	DESCRIPTION	SEE SEC.	NOTES
1	881616	1	Control unit		
2	963105	4	Lock nut		
3	968831	1	Electric cable		L=0.5m
	968831	1	Electric cable		L=2,0m
4		1	Impulse sensor	21870	
5	20378258	2	Housing		
6	874213	4	Cable terminal		
7	874214	4	Cable seal		
8	948211	1	Cable tie		