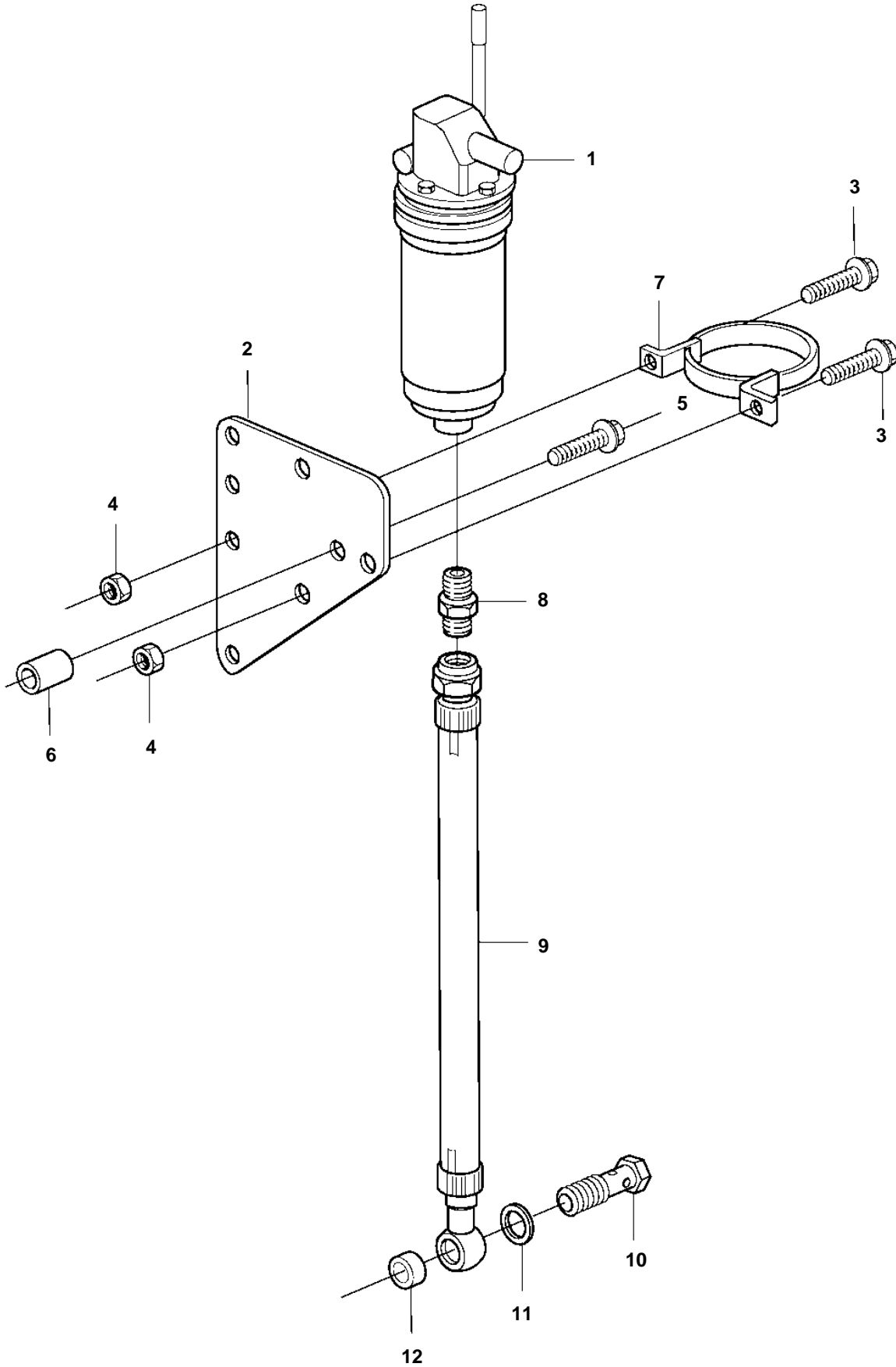


D7A-A T, D7A-A TA



D7A-A T, D7A-A TA

REF	PART NO.	QTY	DESCRIPTION	NOTES
1	3827475	1	Oil bilge pump	
2	3838605	1	Bracket	
3	949578	2	Screw	L=25mm
4	945408	2	Flange nut	
5	20450802	1	Screw	L=60mm
6	888723	3	Spacer sleeve	
7	3838616	1	Clamp	
8	16452	1	Nipple	
9		1	Oil hose	
10		1	Hollow screw	
11	11998	1	Gasket	
12		1	Spacer sleeve	