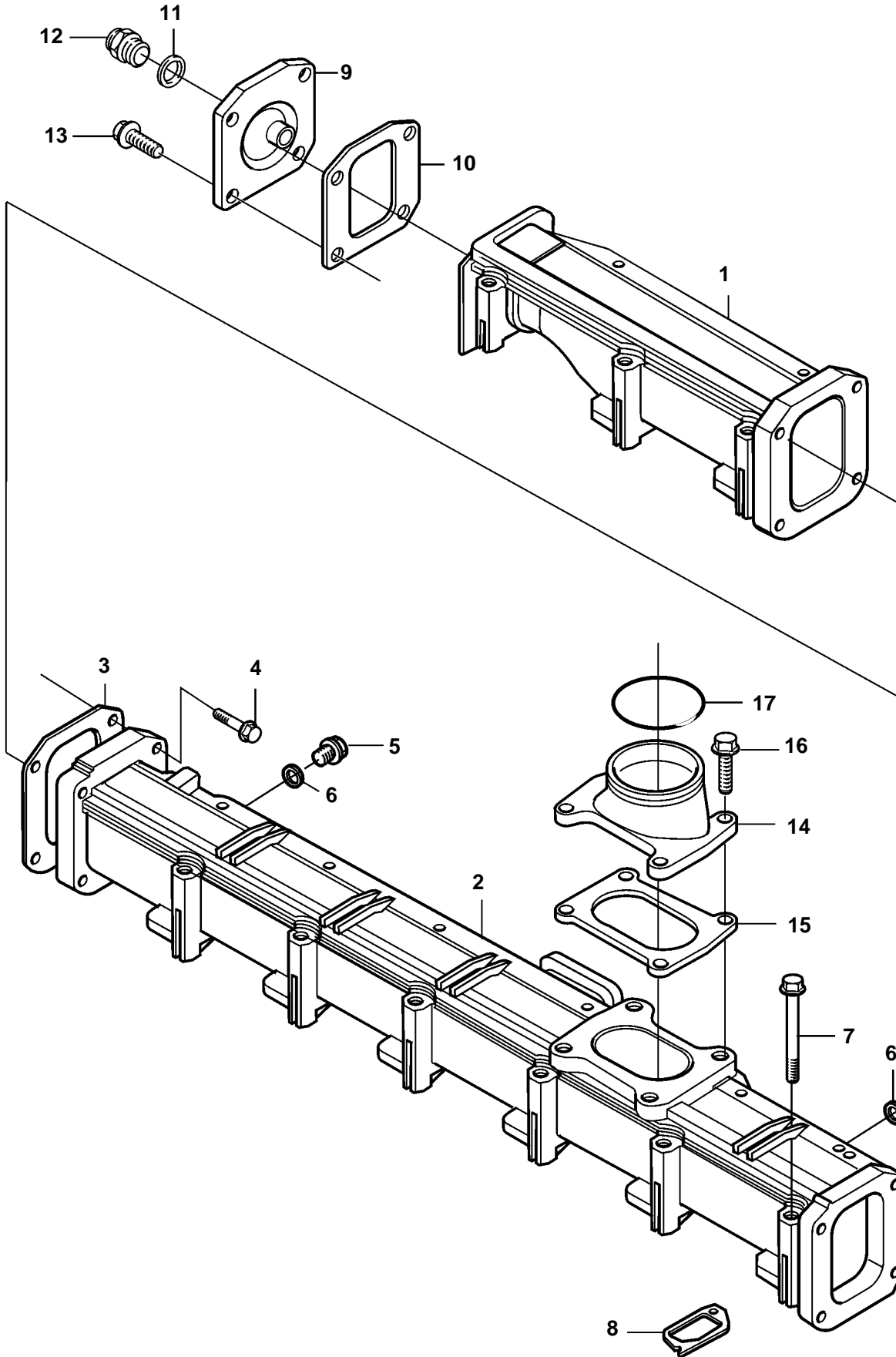


D7A-A TA



D7A-A TA

| REF | PART NO. | QTY | DESCRIPTION |
|-----|----------|-----|-----------------|
| 1 | 888772 | 1 | Charge air pipe |
| 2 | 20405939 | 1 | Inlet pipe |
| 3 | 20405613 | 1 | Gasket |
| 4 | 20412340 | 4 | Screw |
| 5 | 20405556 | 1 | Plug |
| 6 | 947281 | 1 | Gasket |
| 7 | 20412601 | 12 | Screw |
| 8 | 20405619 | 6 | Gasket |
| 9 | 888780 | 1 | Hatch |
| 10 | 20405613 | 1 | Gasket |
| 11 | 11998 | 1 | Gasket |
| 12 | 960630 | 1 | Plug |
| 13 | 20405792 | 4 | Screw |
| 14 | 888776 | 1 | Studs |
| 15 | 20544499 | 1 | Gasket |
| 16 | 20459228 | 4 | Hexagon screw |
| 17 | 888778 | 1 | Sealing ring |