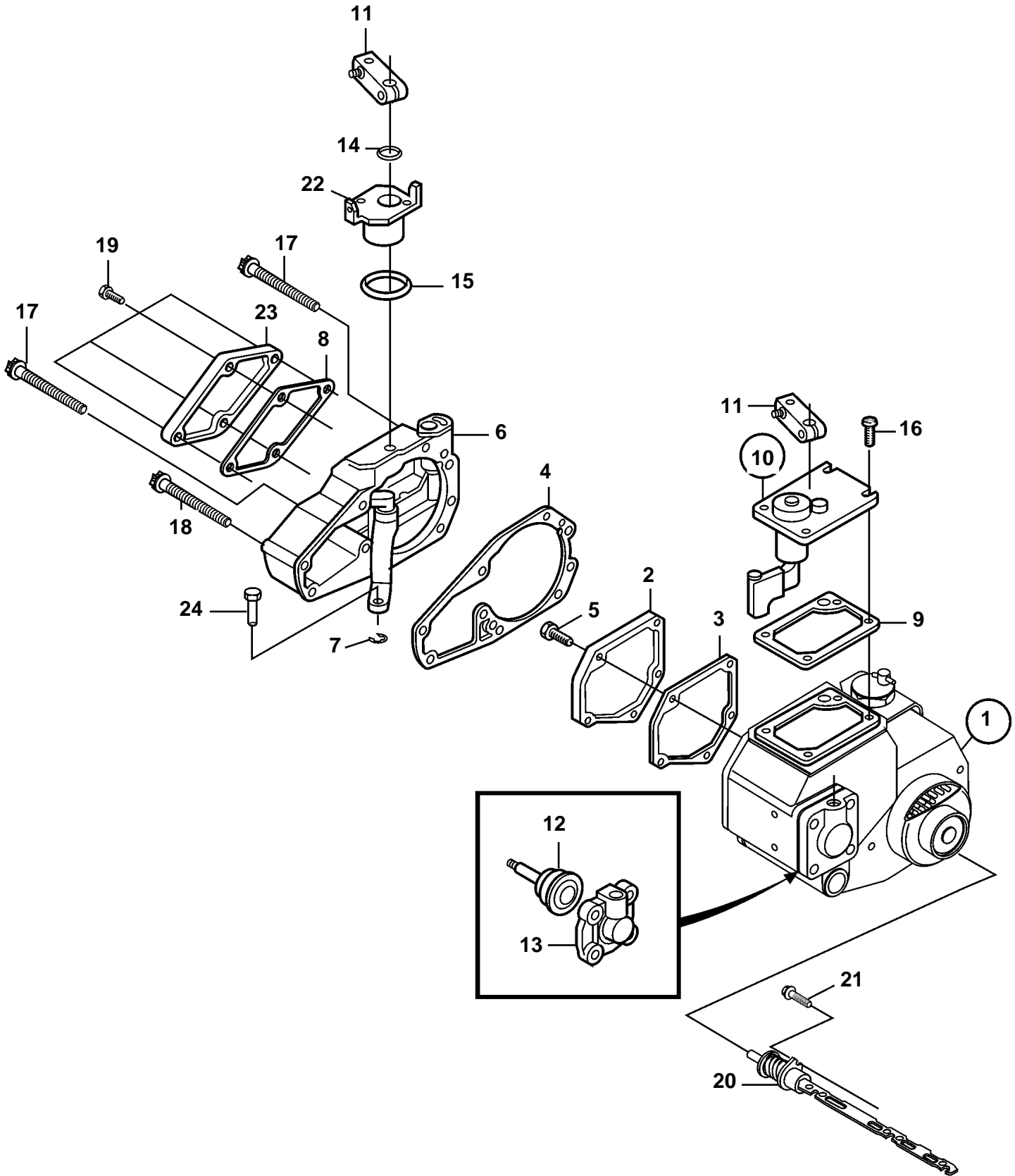


D7A-A T, D7A-A TA



D7A-A T, D7A-A TA

REF	PART NO.	QTY	DESCRIPTION	NOTES
1	20524744	1	Regulator	(20405546). When ordering a governor as a spare part always state engine types, serialnumber, rated power and rated speed (rpm).
2		1	· Cover	
3	20405508	1	· Gasket	
4	20405510	1	· Gasket	
5	20504811	1	· Screw	
6		1	· Housing	
7		1	· Washer	
8	20405509	1	· Gasket	
9	20405507	1	· Gasket	
10	20412752	1	· Cover	
11		2	· · Lever	
12		1	· Piston	
13		1	· Cover	
14		1	· Ring	
15		1	· Ring	
16	20460067	1	Lock screw	Only use locking screw in case of repair. Locking screw can only be used once.
17	20460064	4	Screw	
18	20460065	1	Screw	
19	20460082	4	Lock screw, locking screw	
20	20405868	1	Control rod	
21	946173	1	Flange screw	(20405538). Prepared with locking fluid.
22		1	Stop lug	
23		1	Cover	
24		1	Pin	