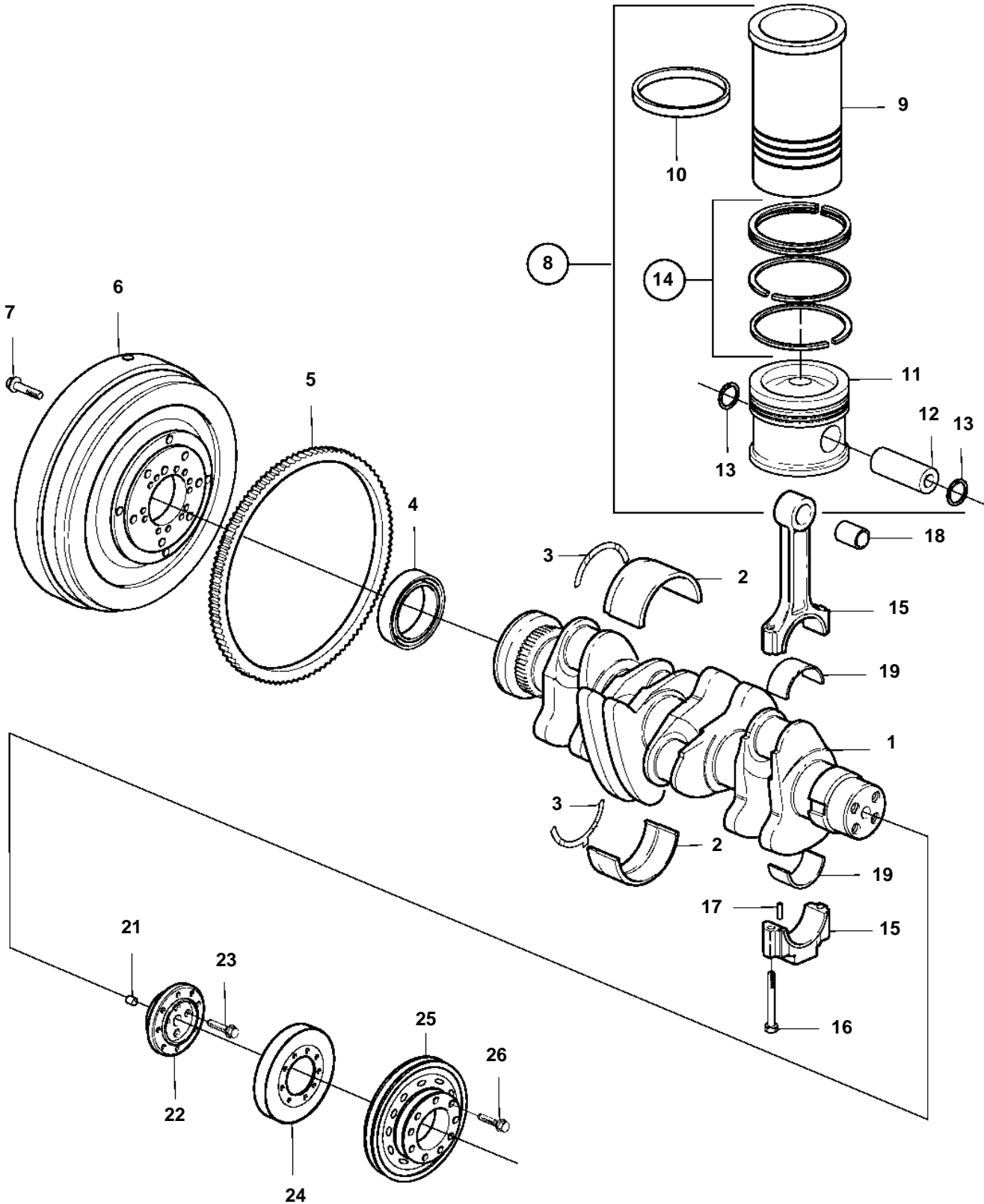


D5A-AT, D5A-A TA



D5A-AT, D5A-A TA

REF	PART NO.	QTY	DESCRIPTION		NOTES
1	20405540	1	Crankshaft	SO	
2	20405516	5	Main bearing kit		STD, SEE GROUP 99
	20405529	5	Main bearing kit		U.S=0,25mm
	20405541	5	Main bearing kit		U.S=0,50mm
3	20405899	1	Thrust washer kit		STD, SEE GROUP 99
	11700315	1	Thrust washer kit		O.S=0,20mm (3.1mm)
4	20412286	1	Sealing ring, crankshaft seal		
5		1	Gear ring		SEE GROUP 21
6		1	Flywheel		SEE GROUP 21
7		10	Screw		SEE GROUP 21
8	877337	4	Cylinder liner kit		
9		6	· Cylinder liner		
10	20412762	8	· O-ring		
11		4	· Piston		
12	20405577	4	· · Piston pin		
13	20405576	8	· · Lock ring		
14	20405571	4	· · Piston ring kit		
15	11700324	4	Connecting rod		
16	11700326	8	· Screw		
17	20450823	4	· Pin		
18	11700325	4	· Bushing		
19	11700316	4	Big end bearing kit		STD
	11700317	4	Big end bearing kit		U.S=0,25mm
	11700318	4	Big end bearing kit		U.S=0,50mm
21	20405634	1	Locating pin		18X24
22	20450843	1	Flange		
23	20460037	4	Screw		
24	20460794	1	Vibration damper		D=248mm
25	888713	1	Gear pulley		Pully for circulation pump & fuel pump. Pully for generator low left 28V 55A
26	888712	9	Screw		