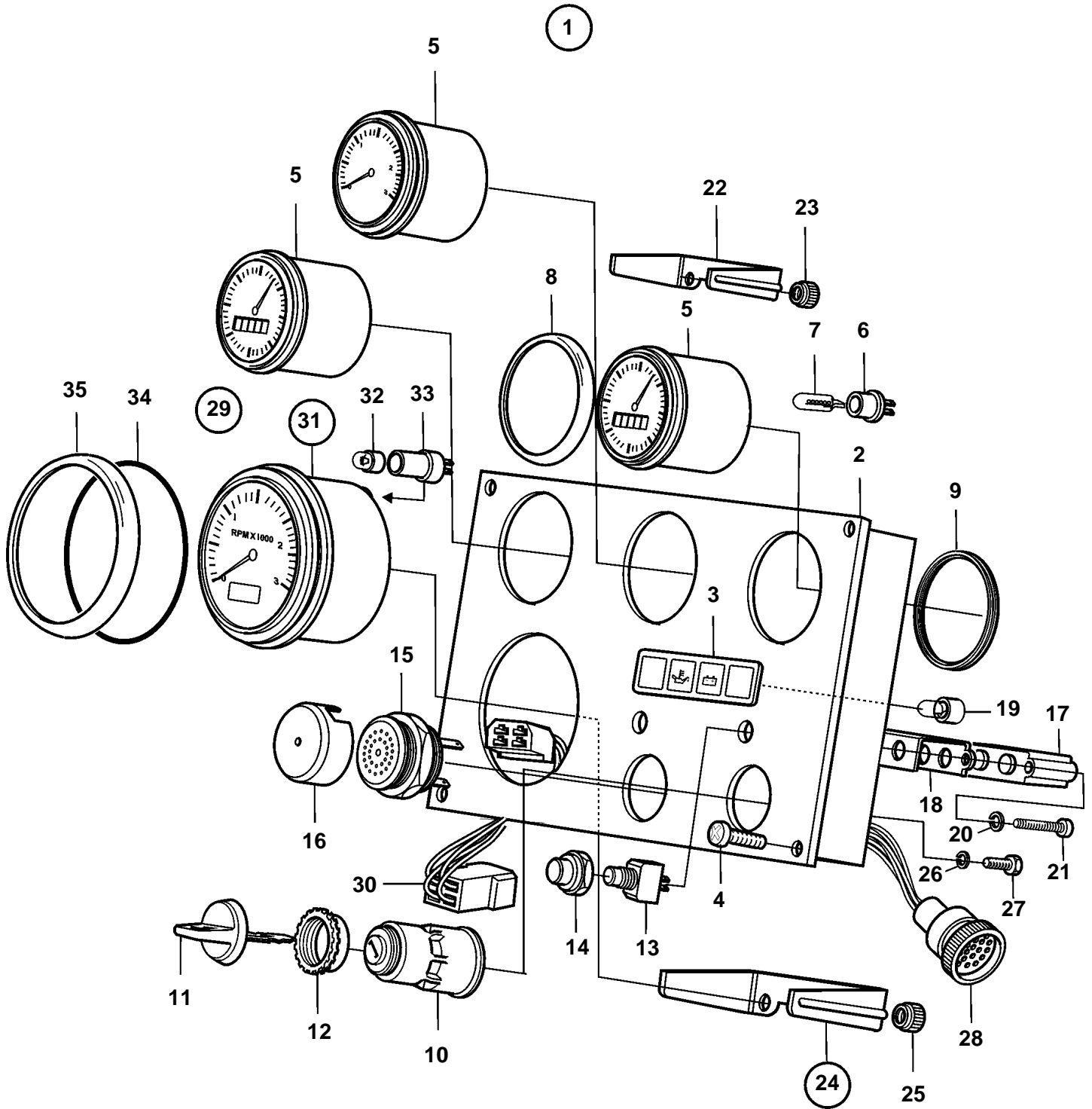


D5A-A T, D5A-A TA, D7A-A T, D7A-A TA



19866

D5A-A T, D5A-A TA, D7A-A T, D7A-A TA

REF	PART NO.	QTY	DESCRIPTION	SEE SEC.	NOTES
1	873591	1	Instrument panel		
2	860182	1	• Instrument panel		
3	858645	1	• Symbol strip		
4	828647	4	• Screw		
5	873196	1	• Temperature gauge		
	873198	1	• Oil pressure gauge		
	873200	1	• Voltmeter		
6	863945	3	• • Bulb socket		
7	863947	3	• • Bulb		
8	858643	3	• Front ring		D=52mm
9	828803	3	• Ring		
10	864277	1	• Starter switch		
11	859953	2	• • Key		State key code when ordering.
			• • Bulletin 49-30	49-30-EN	Key P/N 859953
12	859955	1	• • Plastic nut		
13	828584	1	• Switch		TEST ALARM
	828585	1	• Switch		INSTR. LIGHT
14	828586	2	• Nut		
15	828587	1	• Buzzer		
16	858795	1	• Protecting casing		
17	873737	1	• Electronic unit		(873209)
18	828784	1	• Reflector		
19	828818	4	• Bulb		24V
20	941904	2	• Spring washer		
21	941615	2	• Screw		
22	873207	3	• Retainer		
23		6	• • Nut		
24	873208	1	• Retainer		
25		2	• • Nut		
26	941904	1	• Spring washer		
27	949947	1	• Screw		
28	828646	1	• Cable trunk		
29	877178	1	Rev counter kit		
30	874096	1	• Cable		
31	874496	1	• • Rev counter kit		2600 RPM
32	863947	1	• • Bulb		24V
33	863945	1	• • Bulb socket		
34	873232	1	• • O-ring		
	883232	1	• • Cardboard tube		
35	873683	1	• • Front ring		