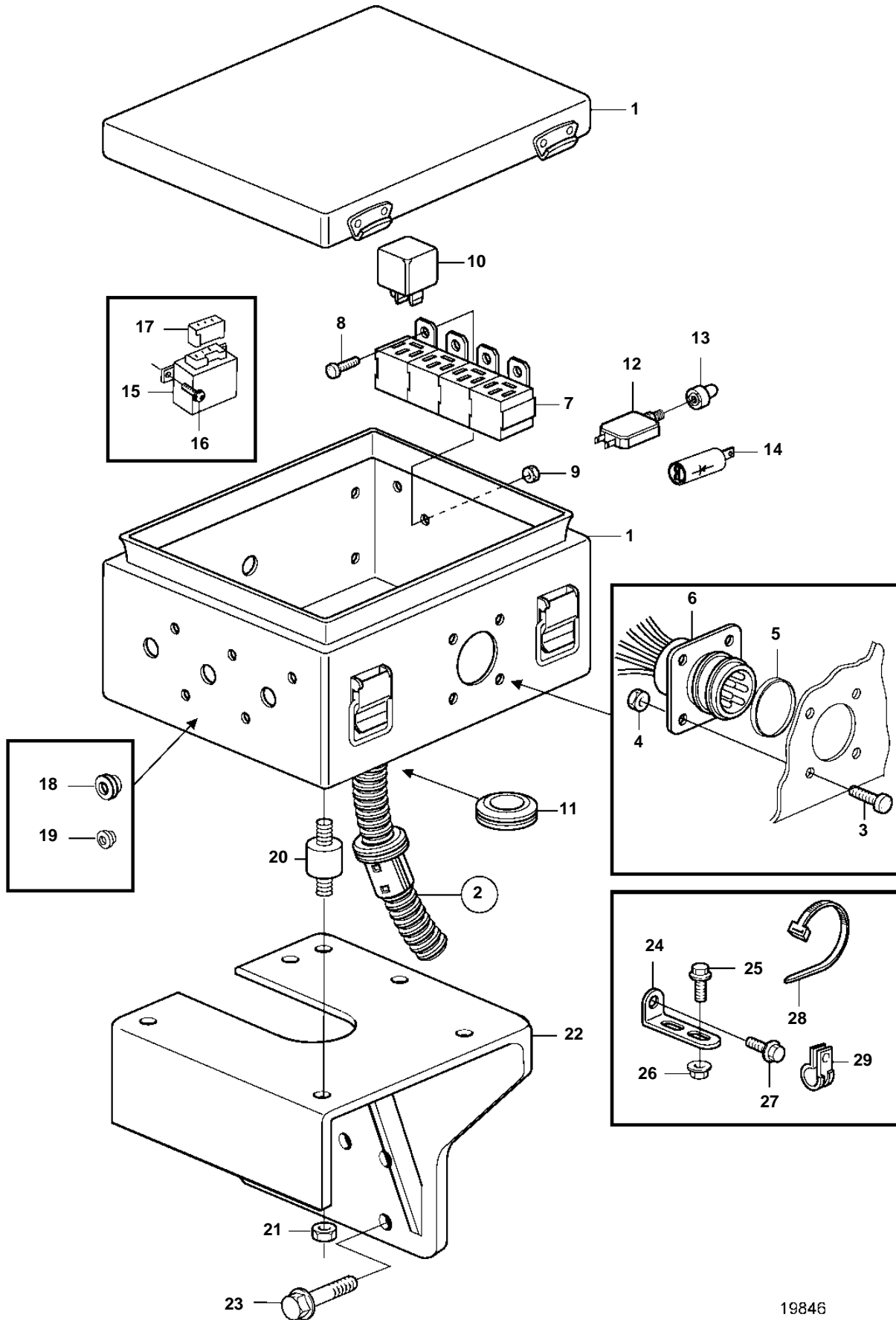


D7A-A T, D7A-A TA



19846

D7A-A T, D7A-A TA

REF	PART NO.	QTY	DESCRIPTION		NOTES
1	873953	1	Box	SO	
2	881595	1	Cable harness		
3	956046	4	· Screw		
4	955778	4	· Nut		
5	846615	1	· Sealing ring		
6	846611	1	· Sleeve connector, instrument panel		
7	977184	1	· Tab housing		
8	956076	2	· Screw		
9	963104	2	· Nut		
10	20374662	4	Relay		
11	943920	1	Protecting plug		
12	966689	1	Fuse		
13	862006	1	Protective cap		
14	20382270	2	Diode		
15	873140	1	Race gard		
16	946440	2	Flange screw		
17	944076	1	Receptacle housing		
18	974683	3	Plug		
19	974680	6	Plug		
20	1228599	4	Rubber cushion		
21	945407	4	Flange nut		
22	3838210	1	Bracket		
23	20405792	3	Screw		
24	965556	1	Bracket		
25	946440	1	Flange screw		
26	945408	1	Flange nut		
27		1	Flange screw		
28	983472	X	Tie straps		
	948211	X	Strip clamp		
29	942400	X	Clamp		D=7,9mm
	949746	X	Clamp		D=12,7mm
	949747	X	Clamp		D=15,9mm
	945081	X	Clamp		D=22.2mm
	947827	X	Clamp		D=25,4mm