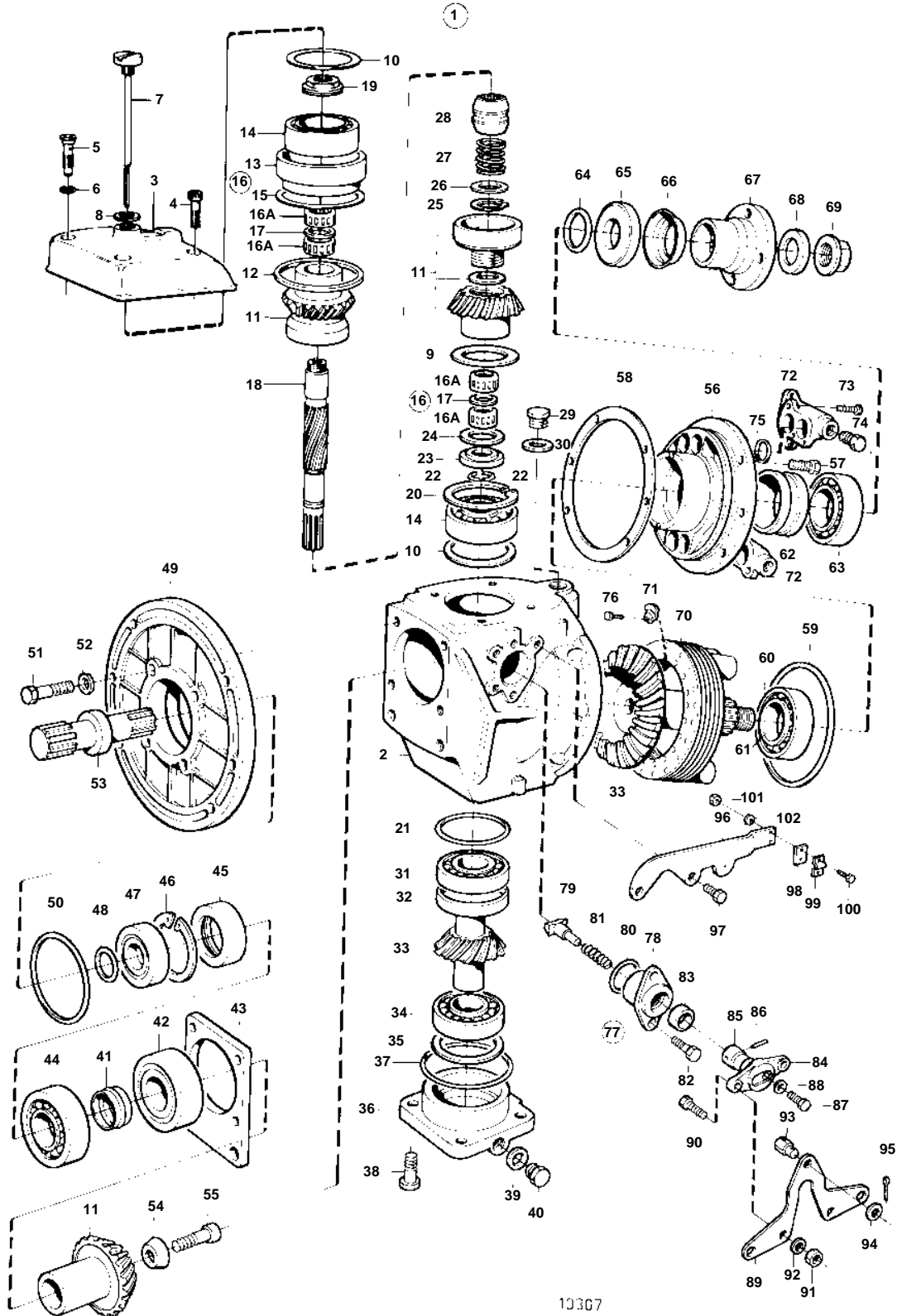


COMMON



COMMON

REF	PART NO.	QTY	DESCRIPTION	SEE SEC.	NOTES
1	853398	1	Reversing gear		RATIO 1,93:1
2	853374	1	• Gear housing		
3	832667	1	• Gear housing cover		
4	956585	3	• Screw		
5	814643	1	• Hollow screw		
6	955989	1	• O-ring		
7	839351	1	• Oil dipstick		
8	955974	1	• O-ring		
9	949071	X	• Adjusting washer		TH = 0,1 MM
	949073	X	• Adjusting washer		TH = 0,35 MM
	949072	X	• Adjusting washer		TH = 0,5 MM
10	943866	X	• Adjusting washer		TH = 0,1 MM
	943867	X	• Adjusting washer		TH = 0,2 MM
	967557	X	• Adjusting washer		TH = 0,3 MM
	943868	X	• Adjusting washer		TH = 0,4 MM
11	854599	1	• Gear set		
12	832669	1	• Gasket		
13	832644	1	• Bearing sleeve		
14	853542	2	• Ball bearing		
15	943869	X	• Adjusting washer		TH = 0,05 MM
	946179	X	• Adjusting washer		TH = 0,1 MM
	943870	X	• Adjusting washer		TH = 0,2 MM
16	853819	2	• Needle bearing		
16A	181359	4	• Needle bearing		REPL BY 853819 FOR 181359
17	897308	2	• Spacer ring		
18	853523	1	• Shaft		
19	839332	1	• Nut		ALT TH = 2,00 MM
	839333	1	• Nut		ALT TH = 2,37 MM
	839334	1	• Nut		ALT TH = 2,65 MM
20	850433	1	• Lock ring		
21	944522	X	• Shim		TH = 0,05 MM
	42981	X	• Shim		TH = 0,1 MM
	42980	X	• Shim		TH = 0,2 MM
22	897312	2	• Lock ring		
23	853528	1	• Spacer ring		
24	852433	1	• Wear washer		
25	951077	1	• Lock ring		
26	26411	1	• Spacer		
27	813970	1	• Spring		
28	854370	1	• Sliding sleeve		(853420)
29	814179	1	• Plug		
30	897682	1	• Gasket		
31	181301	1	• Cone		
32	181302	1	• Cup		
33	853376	1	• Drive gear set		
34	184649	1	• Bearing		
35	967352	X	• Adjusting washer		TH = 0,05 MM
	941823	X	• Adjusting washer		TH = 0,10 MM
	967351	X	• Adjusting washer		TH = 0,15 MM
	941824	X	• Adjusting washer		TH = 0,20 MM
	941825	X	• Adjusting washer		TH = 0,40 MM
36	854097	1	• Bearing cover		(852372)
37	925257	1	• O-ring		
38	946472	4	• Screw		
39	947084	1	• Gasket		
40	960629	1	• Plug		
41	853484	1	• Pretensioning sleeve		
42	853949	1	• Roller bearing		(183668)
43	853063	X	• Adjusting washer		TH = 0,1 MM

COMMON

REF	PART NO.	QTY	DESCRIPTION	SEE SEC.	NOTES
43	853064	X	· Adjusting washer		TH = 0,15 MM
	853065	X	· Adjusting washer		TH = 0,35 MM
44	183247	1	· Bearing		
45	853670	1	· Sealing ring		(839253)
46	914538	1	· Lock ring		
47	832675	1	· Washer		
48	956000	1	· O-ring		
49	853161	1	· Bearing housing		
50	925095	1	· O-ring		
51	967636	1	· Screw		
52	949523	1	· Washer		
53	850275	1	· Axle shaft		
54	853026	1	· Washer		
55	854201	1	· Screw		(851293)
56	853366	1	· Bearing housing		
57	946671	6	· Flange screw		
58	853370	X	· Adjusting washer		TH = 0,1 MM
	853369	X	· Adjusting washer		TH = 0,15 MM
	853368	X	· Adjusting washer		TH = 0,35 MM
59	943244	1	· O-ring		
60	183328	1	· Cup		
61	183327	1	· Cone		
62	852696	1	· Sleeve		
63	853949	1	· Roller bearing		(183668)
64	925063	1	· O-ring		
65	853757	1	· Sealing ring		(959026)
66	944530	1	· Ring		
67	853481	1	· Flange		
68	850471	1	· Washer		
69	947855	1	· Lock nut		
70	853394	1	· Oil cooler		
71	853361	2	· Retainer		
72	851874	2	· Pipe connection		
73	965213	4	· Screw		
74	192134	2	· Plug		
75	960169	4	· O-ring		
76	959187	4	· Screw		
77	853198	1	· Shift mechanism		
78	851662	1	· · Bearing housing		
79	839646	1	· · Dog		
80	925065	1	· · O-ring		
81	814184	1	· · Spring		
82	965215	2	· · Screw		
83	958838	1	· · Sealing ring		
84	897816	1	· · Eccentric piston		
			· · Bulletin P-44-1-7	P-44-1-7-EN	Shift mechanism, eccentric piston
85	951924	1	· · Tensioning din		
86	942871	1	· · Pin		
87	897711	1	· · Screw		
88	897871	1	· · Adjusting washer		
89	853225	1	· Lever		
90	955270	2	· Screw		
91	955781	2	· Nut		
92	955948	2	· Lock washer		
93	804312	1	· Cube		
94	955982	1	· O-ring		
95	17276	1	· Cotter pin		
96	853180	1	· Bracket		
97	955294	2	· Screw		
98	819068	1	· Washer		
99	819067	1	· Brace		
100	955246	2	· Screw		
101	946577	2	· Lock nut		

COMMON

REF	PART NO.	QTY	DESCRIPTION	SEE SEC.	NOTES
102	940090	2	Washer		
	876073	1	Gasket kit		SEE GROUP 10A