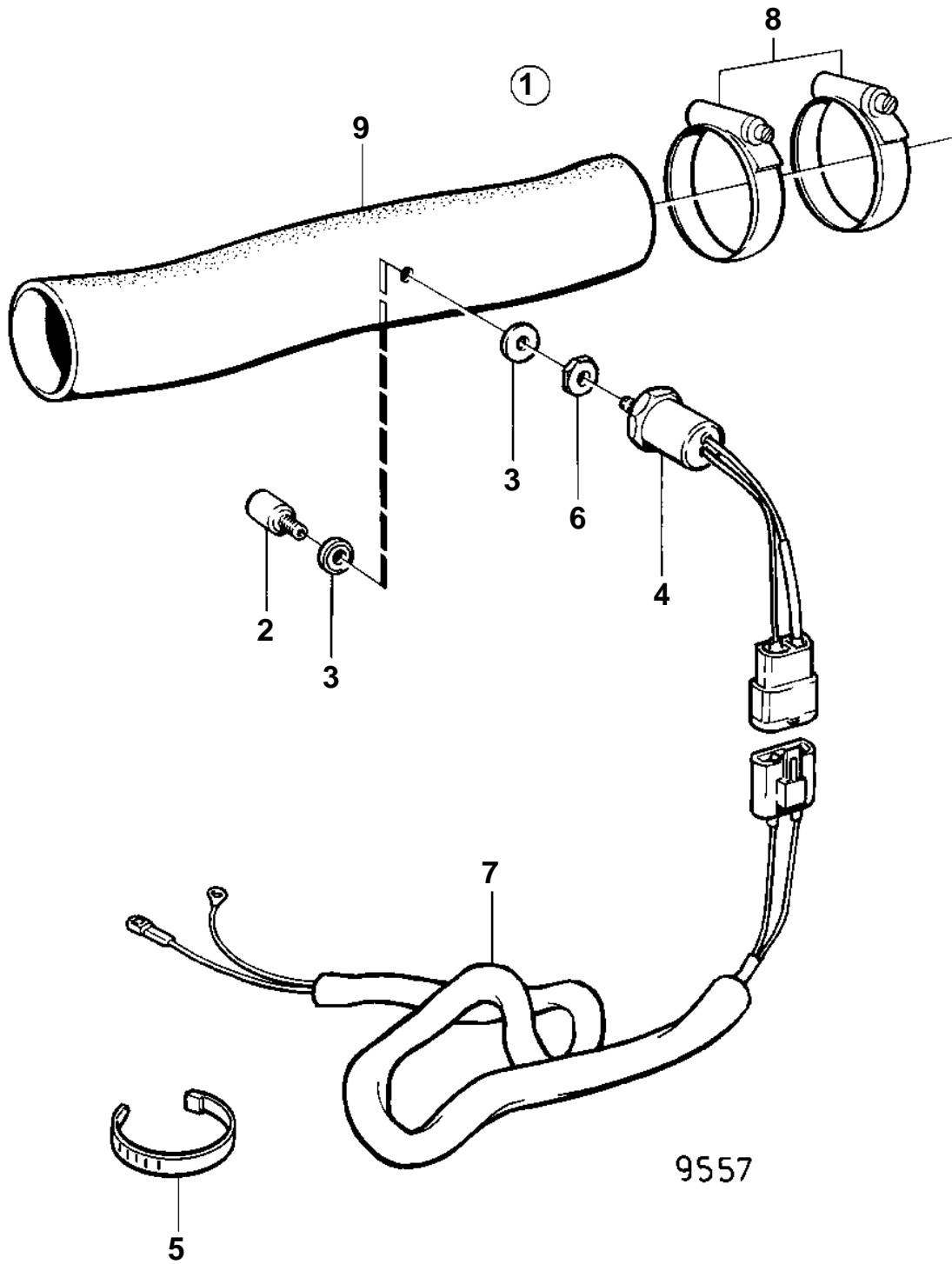


TMD41A,TMD41B,TAMD41A,TAMD41B



TMD41A,TMD41B,TAMD41A,TAMD41B

REF	PART NO.	QTY	DESCRIPTION	NOTES
1	828816	1	Exhaust temp kit	
2	828817	1	· Sensor	
3	828776	2	· Washer	
4	828761	1	· Thermo monitor	
5	948210	X	· Strip clamp	
6	828750	1	· Nut	
7		X	· CABLES AND TERMINALS	SEE GROUP 3
8		2	HOSE CLAMP	
9		X	HOSE	