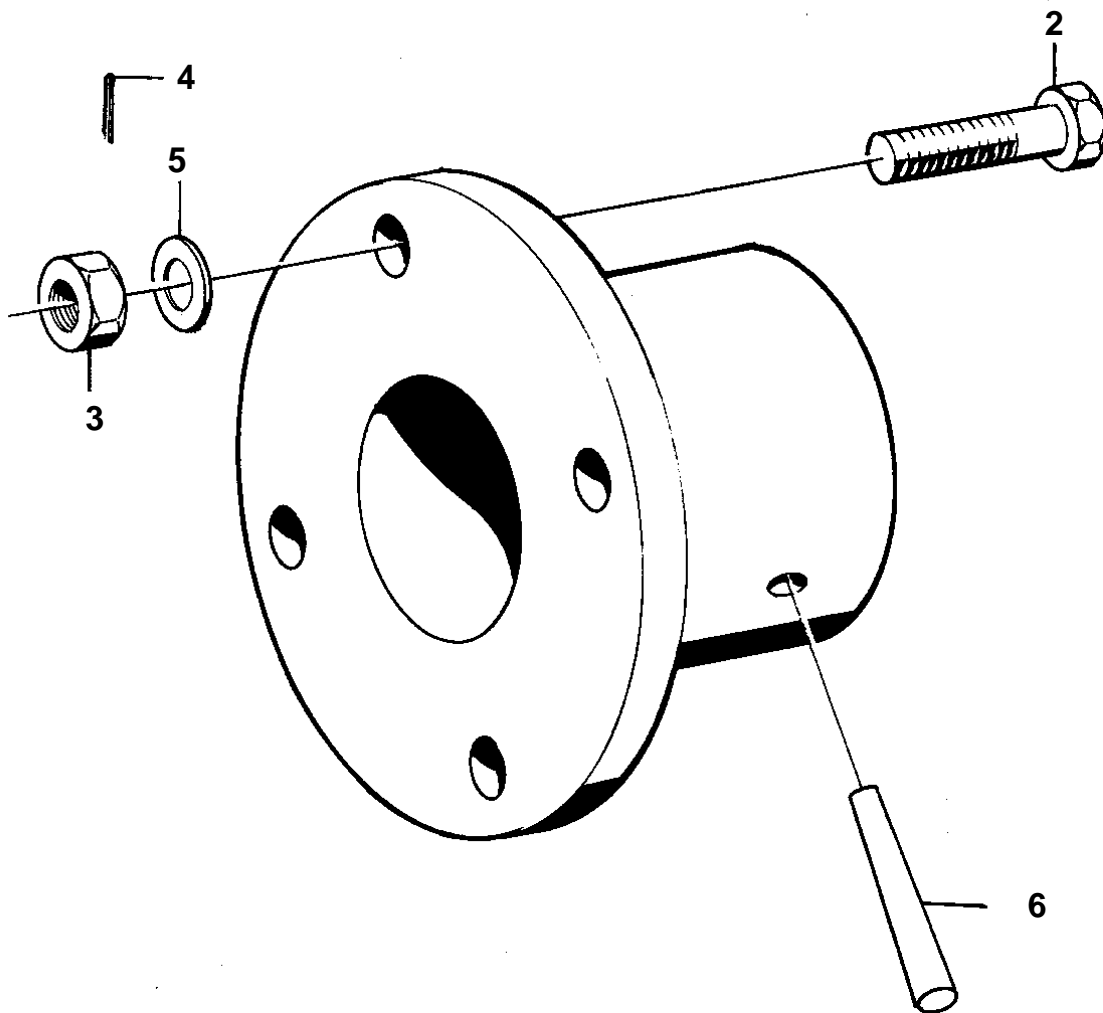


1



4624

COMMON

REF	PART NO.	QTY	DESCRIPTION	NOTES
1	819105	1	Clutch flange	FOR SHAFT DIAM. 45MM.
2	955692	4	· Screw	EARLY TYPE L = 32 MM. USE TOGETHER WITH NUT 955883 AND COTTER PIN 907834
	955693	4	· Screw	LATE TYPE L = 38 MM. USE TOGETHER WITH LOCK NUT 950375
	955691	4	· Screw	L = 25 MM
3	955883	4	· Nut	EARLY TYPE. USE TOGETHER WITH SCREW 955692 AND COTTER PIN 907834
	950375	4	· Nut	LATE TYPE. USE TOGETHER WITH SCREW 955693
4	907834	4	· Cotter pin	EARLY TYPE. USE TOGETHER WITH SCREW 955692 AND NUT 955883
5	941909	4	· Spring washer	
6	907617	1	· Pin	