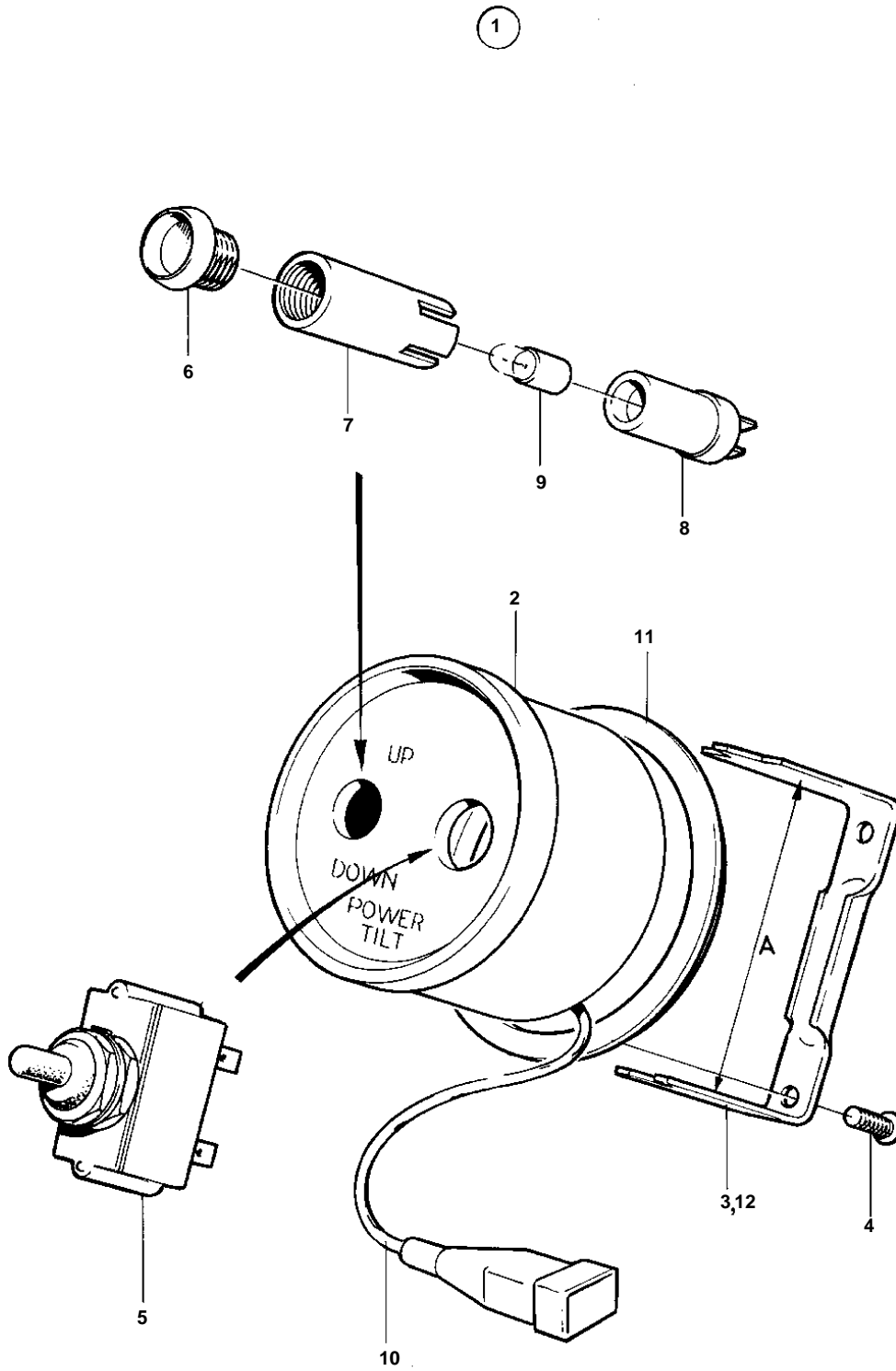


COMMON



4656

**COMMON**

REF	PART NO.	QTY	DESCRIPTION	NOTES
1	850375	1	Instrument panel	12V
2		1	· PANEL	
3	850372	1	· Brace	A = 60 MM
4	944201	2	· Screw	
5	814322	1	· Switch	
6	827766	1	· Lens	
7	819350	1	· Sleeve	
8	808175	1	· Bulb socket	
9	19923	1	· Bulb	12V
10	839426	1	· Cable	
		X	· · CABLES AND CABLE TERMINALS	SEE GROUP 3
11	843603	1	Intermediate ring	ALT
12	843602	1	Attaching brace	ALT A = 65 MM