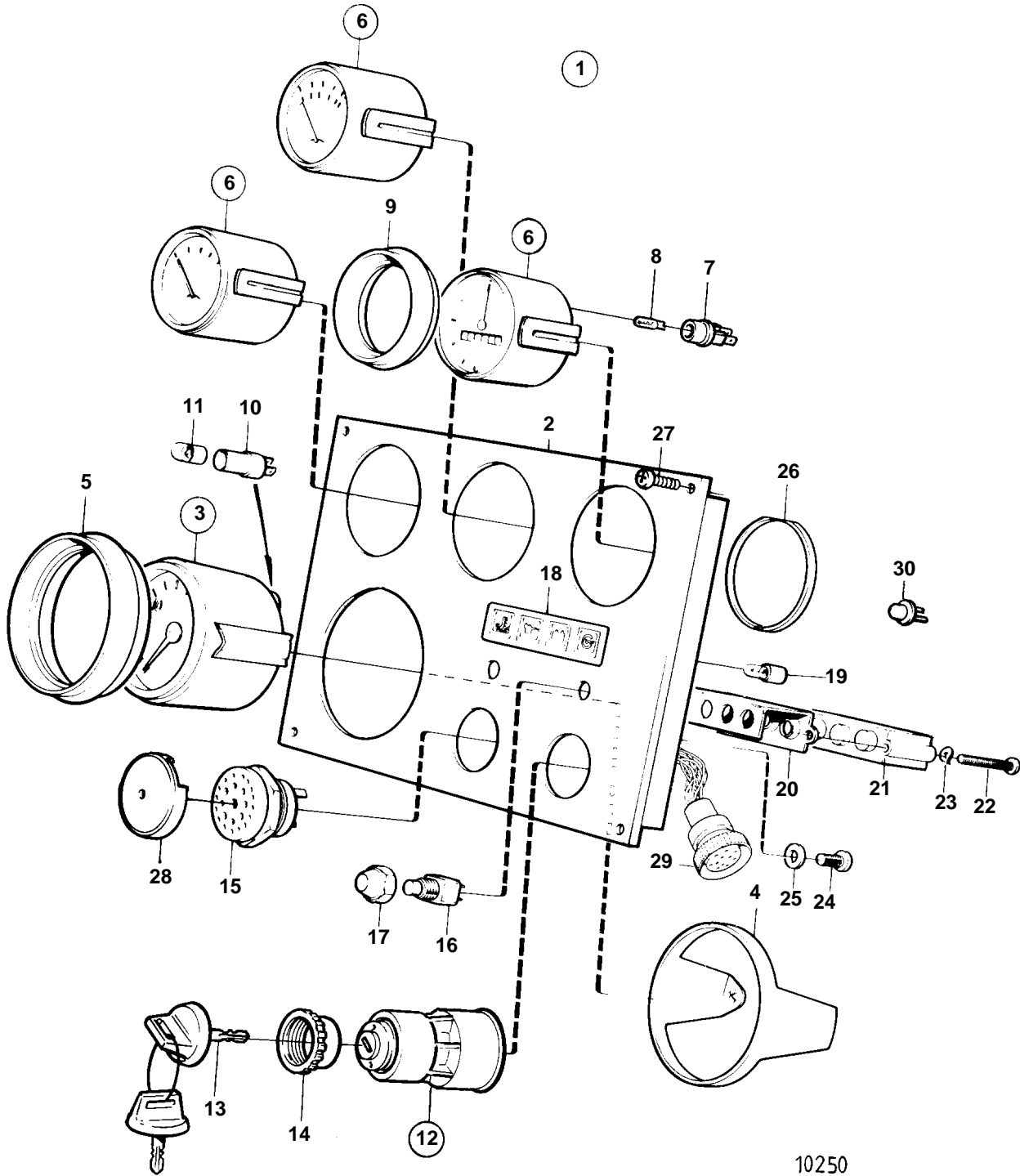


COMMON



**COMMON**

REF	PART NO.	QTY	DESCRIPTION	SEE SEC.	NOTES
1	864042	1	Instrument panel		12V
2	863997	1	· Instrument panel		
3	864022	1	· Tachometer		
4	849523	1	· · Attaching ring		
5	858644	1	· Front ring		
6	863932	1	· Thermometer		
	863934	1	· Oil pressure gauge		
	863930	1	· Voltmeter		
7	863945	3	· · Bulb socket		
8	863946	3	· · Bulb		
9	858643	3	· Front ring		
10	808175	1	· Bulb socket		
11	19923	1	· Bulb		
12	864277	1	· Starter switch		
13	859953	2	· · Key		STATE KEY CODE WHEN ORDERING.
			· · Bulletin 49-30	49-30-EN	Key P/N 859953
14	859955	1	· · Plastic nut		
15	828587	1	· Buzzer		
16	828584	1	· Switch		TEST ALARM
17	828585	1	· Switch		LIGHTING
18	858645	1	· Symbol strip		
19	19923	4	· Bulb		
20	828784	1	· Reflector		
21	828783	1	· Electronic unit		
22	941615	2	· Screw		
23	941904	2	· Spring washer		
24	949947	1	· Screw		
25	941904	1	· Spring washer		
26	828803	3	· Ring		
27	828647	4	· Screw		
28	858795	1	· Protecting casing		
29	859050	1	· Cable kit		
30	1518870	1	· Diode		