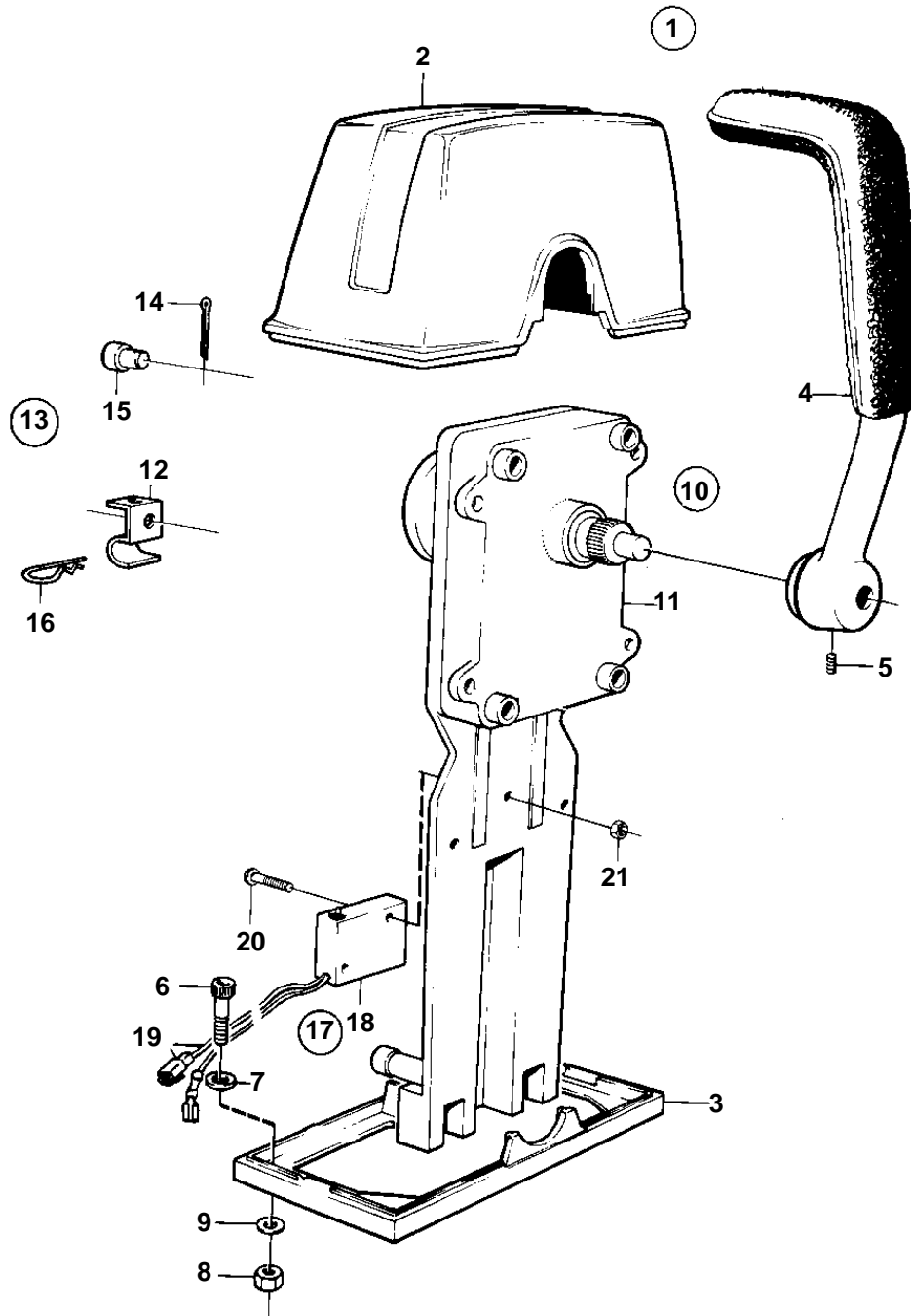


COMMON



9266

## COMMON

REF	PART NO.	QTY	DESCRIPTION	NOTES
1	851603	1	Mounting kit	FOR TWIN INSTALLATION
2	839477	1	· Cover	
3	839479	1	· Plate	
4	839475	2	· Lever	
5	839693	2	· Lock screw	
6	947671	6	· Allen head screw	
7	940090	2	· Washer	
8	955780	6	· Nut	
9	960138	6	· Washer	
10	851600	1	Control	
11	851666	1	· Control mechanism	
12	853423	1	· Retainer	
13	851712	1	· Connector kit	
14	17253	2	· · Cotter pin	
15	839638	2	· · Cube	
16	852924	1	· · Clip	
17	855352	2	Neutral posit contac	
18	850200	2	· Switch	
19		X	· · CABLES AND TERMINALS	SEE GROUP 3
20	946177	4	· Screw	
21	947536	4	· Nut	