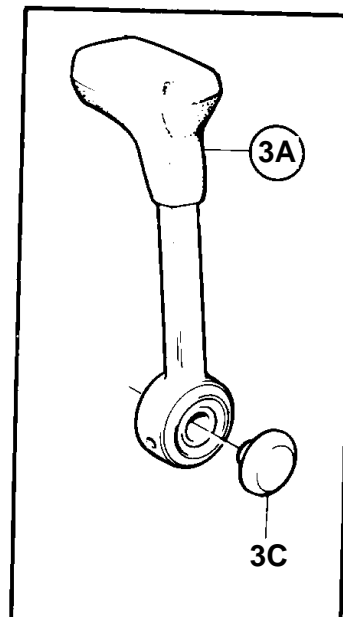
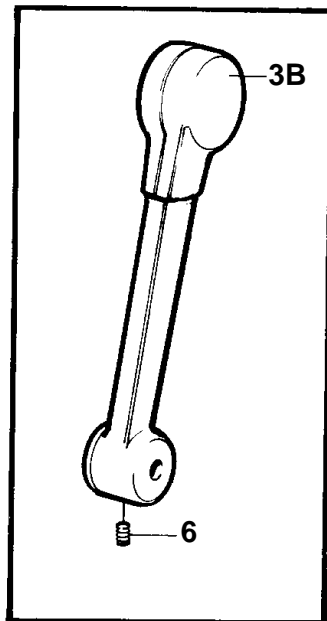
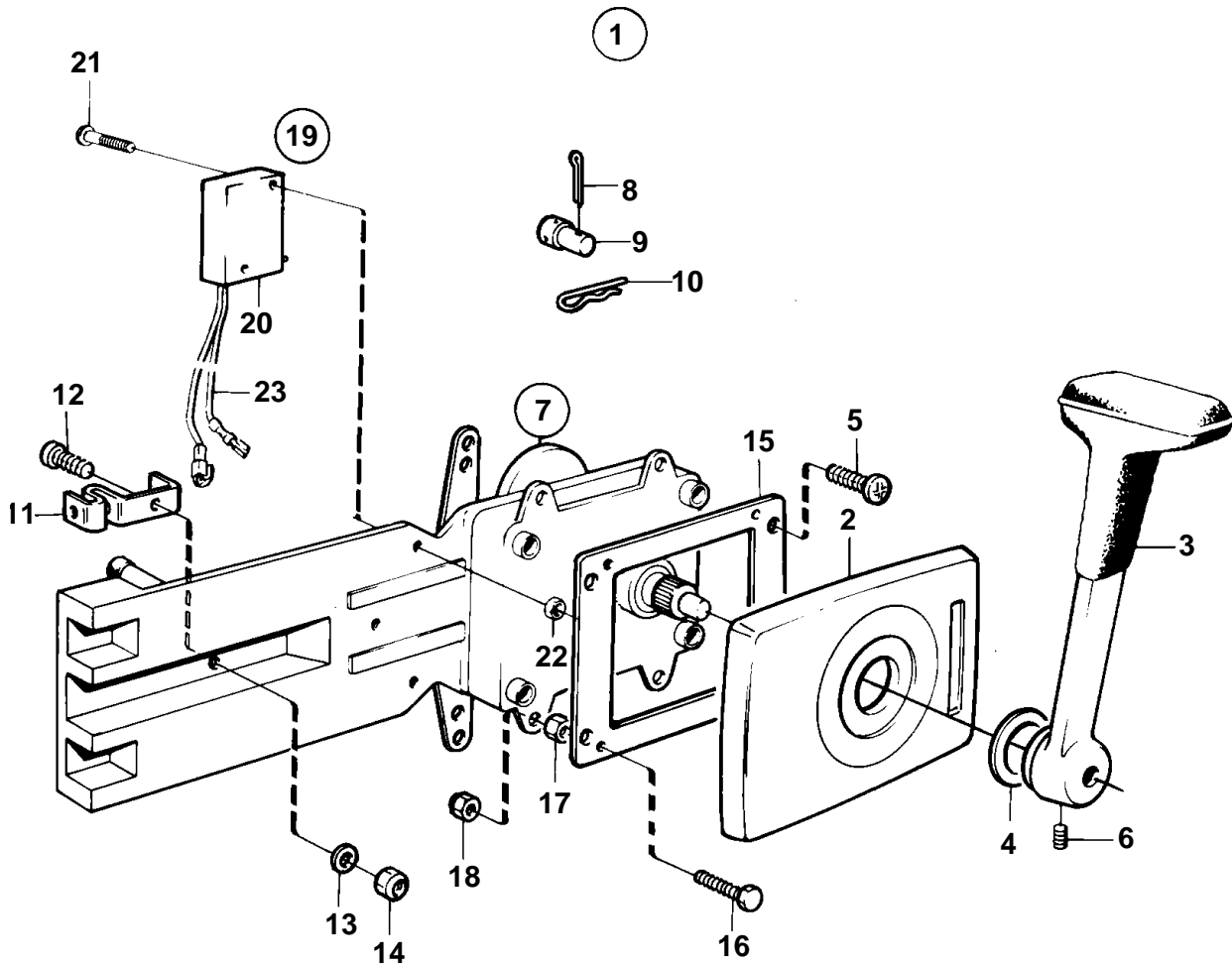


COMMON



10315

## COMMON

REF	PART NO.	QTY	DESCRIPTION	NOTES
1	1140093	1	Mounting kit	PC741. FOR SAILING BOAT.
2	853713	1	· Cover	
3B	839521	1	· Lever	FOR SAILING BOAT.
4	1140094	1	· Washer	
5	961330	4	· Screw	
6	839693	1	· Lock screw	
7	1140095	1	Control mechanism	
8	17253	2	· Cotter pin	
9	839638	2	· Cube	
10	852924	1	· Clip	
11	853423	1	· Retainer	
12	839664	1	· Screw	
13	940275	1	· Washer	
14	946435	1	· Lock nut	
15		1	· ATTACHING PLATE	NOT TO BE USED TOGETHER WITH INSTALLATION KIT 851605
16	963548	4	· Screw	
17		4	· NUT	
18	946435	4	· Lock nut	
19	855352	1	Neutral posit contac	
20	850200	1	· Switch	
21	946177	2	· Screw	
22	947536	2	· Nut	
23		X	· CABLES AND TERMINALS	SEE GROUP 3
		X	· ELECTRICAL MATERIALS	SEE GROUP 3