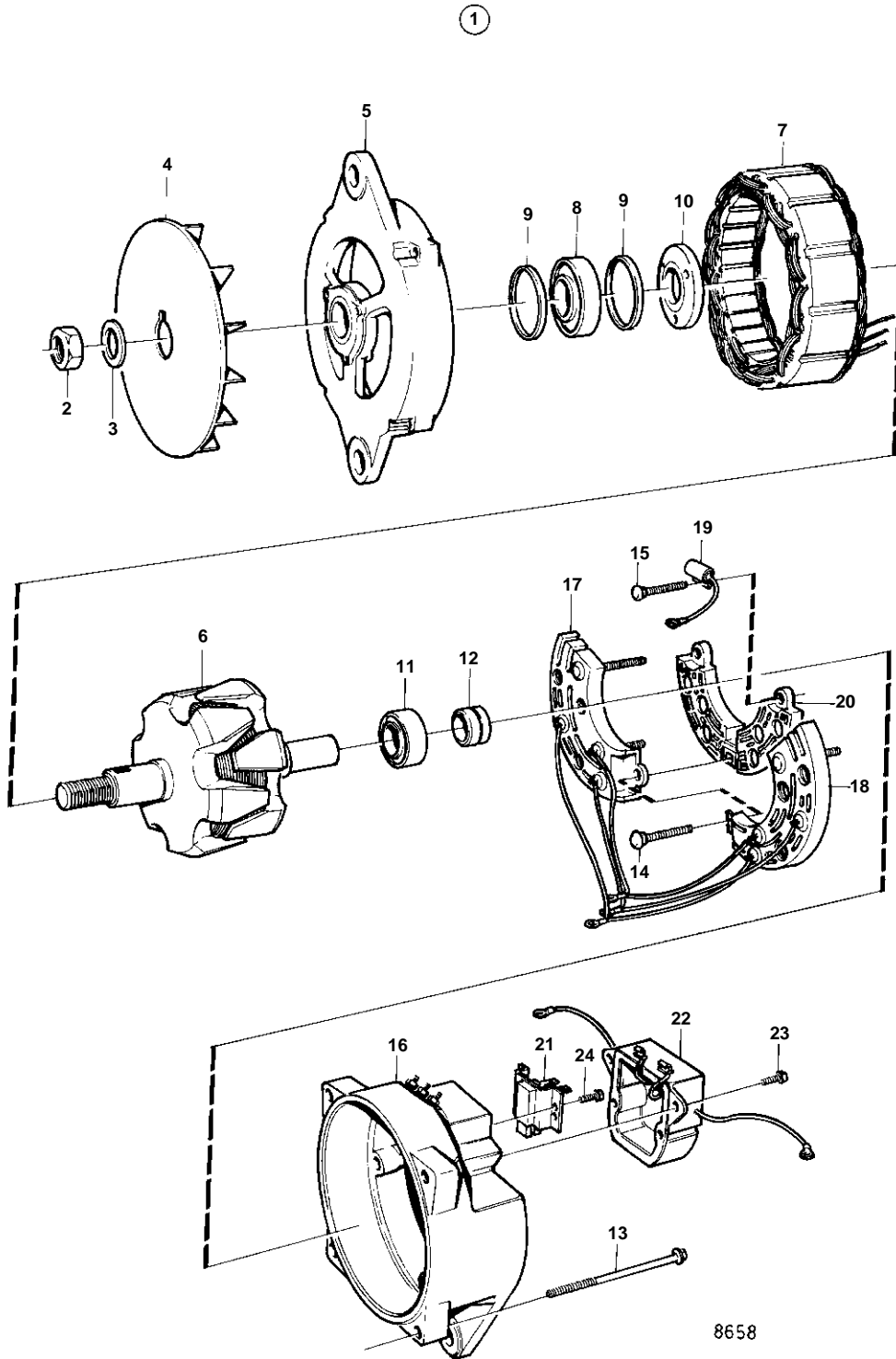


COMMON



## COMMON

| REF | PART NO. | QTY | DESCRIPTION        | NOTES  |
|-----|----------|-----|--------------------|--|
| 1   | 849747   | 1   | Alternator         | FOR 12 VOLTAGE ELECTRIC SYSTEM.<br>Exchange unit |
|     | 3803577  | 1   | Alternator,exch    |  |
| 2   |          | 1   | · NUT              |  |
| 3   |          | 1   | · WASHER           |  |
| 4   | 862518   | 1   | · Fan              |  |
| 5   | 862527   | 1   |                    |  |
| 6   | 862528   | 1   | · Rotor            |  |
| 7   | 862529   | 1   | · Stator           |  |
| 8   | 862509   | 1   | · Bearing          |  |
| 9   | 862532   | 2   | · Seal             |  |
| 10  | 862531   | 1   |                    |  |
| 11  | 862533   | 1   | · Bearing          |  |
| 12  | 862511   | 1   | · Slip ring        | (862538)   |
| 13  |          | 4   | · SCREW            |  |
| 14  |          | 1   | · SCREW            |  |
| 15  |          | 1   | · SCREW            |  |
| 16  | 862530   | 1   |                    |  |
| 17  | 862534   | 1   | · Diode            | POS.   |
| 18  | 862535   | 1   | · Rectifier diode  | NEG.   |
| 19  |          | 1   | · CAPACITOR        |  |
| 20  |          | 1   | · INSULATING PLATE |  |
| 21  | 862536   | 1   | · Carbon brush set |  |
| 22  | 862539   | 1   | · Regulator        |  |
| 23  |          | 4   | · SCREW            |  |
| 24  |          | 2   | · SCREW            |  |