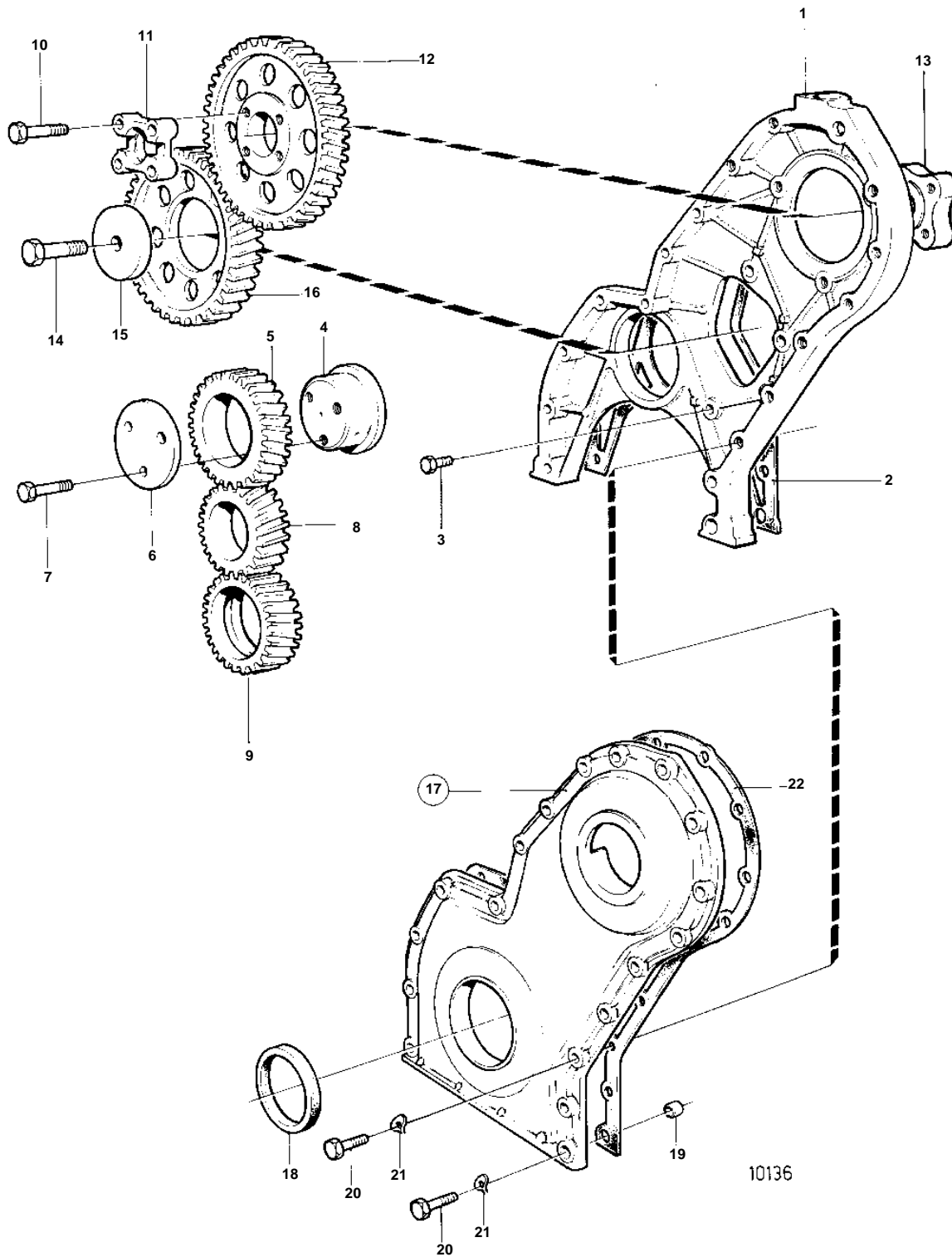


D41B,AD41B



D41B,AD41B

REF	PART NO.	QTY	DESCRIPTION		SEE SEC.	NOTES
1	838655	1	Timing gear casing			
2	859039	1	Gasket	IK		
3	946173	3	Flange screw			L = 20 MM
	946671	1	Flange screw			L = 30 MM
4	838997	1	Pin			
5	1542061	1	Gear			
6	1542065	1	Thrust washer			
7	965180	3	Flange screw			
8	1542305	1	Gear		02A-3250	
9	1542215	1	Gear			
10	955299	4	Screw			
11	829523	1	Companion flange			
12	838657	1	Gear			
13	859601	1	Hub			
14	965193	1	Screw		02A-3800	
15	1542223	1	Washer		02A-3800	
16	1542034	1	Gear		02A-3800	
17	843086	1	Cover			
18	1542318	1	· Sealing ring	IK		
19	415311	2	· Sleeve			
20	946470	7	Flange screw			L = 35 MM
	948217	1	Flange screw			L = 45 MM
	965179	1	Flange screw			L = 50 MM
	965180	1	Flange screw			L = 60 MM
	965181	5	Screw			L = 70 MM
	965182	2	Flange screw			L = 80 MM
	969189	1	Flange screw			L = 85 MM
21	941907	13	Spring washer			
22	859038	1	Gasket	IK		