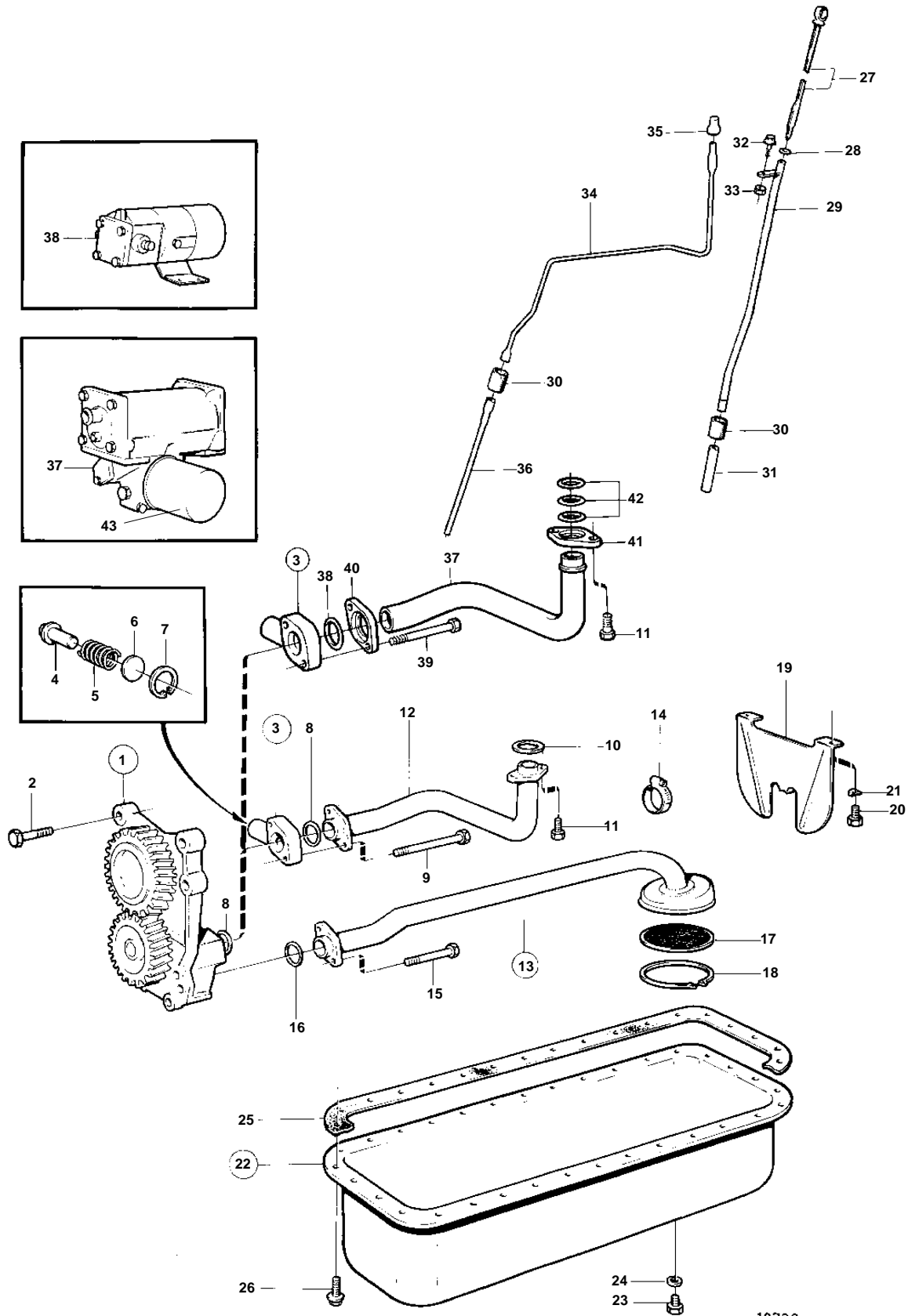


TMD41B,TAMD41B,D41B,AD41B



10733

TMD41B,TAMD41B,D41B,AD41B

REF	PART NO.	QTY	DESCRIPTION	SEE SEC.	NOTES
1	1542210	1	Oil pump		
				02A-4850	
	860721	1	Oil pump		SN2204139291-
				02A-4850	
2	948217	4	Flange screw		
3	1542255	1	Reducing valve		REPL BY 860790. ONLY FOR PIPE 1542385
	860790	1	Reducing valve		
			Bulletin 44-32	44-32-EN	Reduction Valve D31, 41, 42
			Bulletin 44-32A	44-32A-EN	Reduction Valve D31, 41, 42
4	471115	1	• Reducing valve		
5	1542257	1	• Spring		
6	948343	1	• Washer		
7	914506	1	• Lock ring		
8	469482	2	O-ring	IK	
9	965183	2	Flange screw		
10	1542385	2	Sealing ring	IK	
11	946173	2	Flange screw		
12	1542383	1	Tube		SN-2204141509. REPLACED BY 1EA PIPE 860821, 1EA RELIEF VALVE 860790, 1EA SEAL RING 1545271,2EA SCREW 965184,1EA FLANGE 1545272 ,1EA FLANGE 1542248 AND 3EA SEAL RING 1542385.
13	829491	1	Tube		
14	943473	1	• Hose clamp		
15	965217	2	Flange screw		
16	949657	1	O-ring	IK	
17	403483	1	Wire gauze		
18	118123	1	Lock ring		
19	829492	1	Baffle plate		
20	944926	2	Flange screw		
21	942385	2	Disc spring		
22	844909	1	Oil pan		
23	948187	1	• Plug		
24	18818	1	• Gasket	IK	
25	860685	1	Gasket	IK	
26	946440	32	Flange screw		
27	838801	1	Oil dipstick		
28	949187	1	• O-ring		
29	838791	1	Tube		
30	843533	2	Rubber hose		
31	843692	1	Tube		
32	965175	1	Screw		
33	945407	1	Flange nut		
34	838792	1	Oil scavenging pipe		
35	943835	1	Plug		
36	829579	1	Tube		
37	860821	1	Tube		SN2204141510-
38	1545271	1	Sealing ring		
39	965184	2	Screw		
40	1545272	1	Flange		
41	1542248	1	Flange		
42	1542385	3	Sealing ring		
43		X	OIL FILTER AND INSTALLATION COMPONENTS	02A-5250	
44		X	• EL.OIL SUMP PUMP		SEE GROUP 9