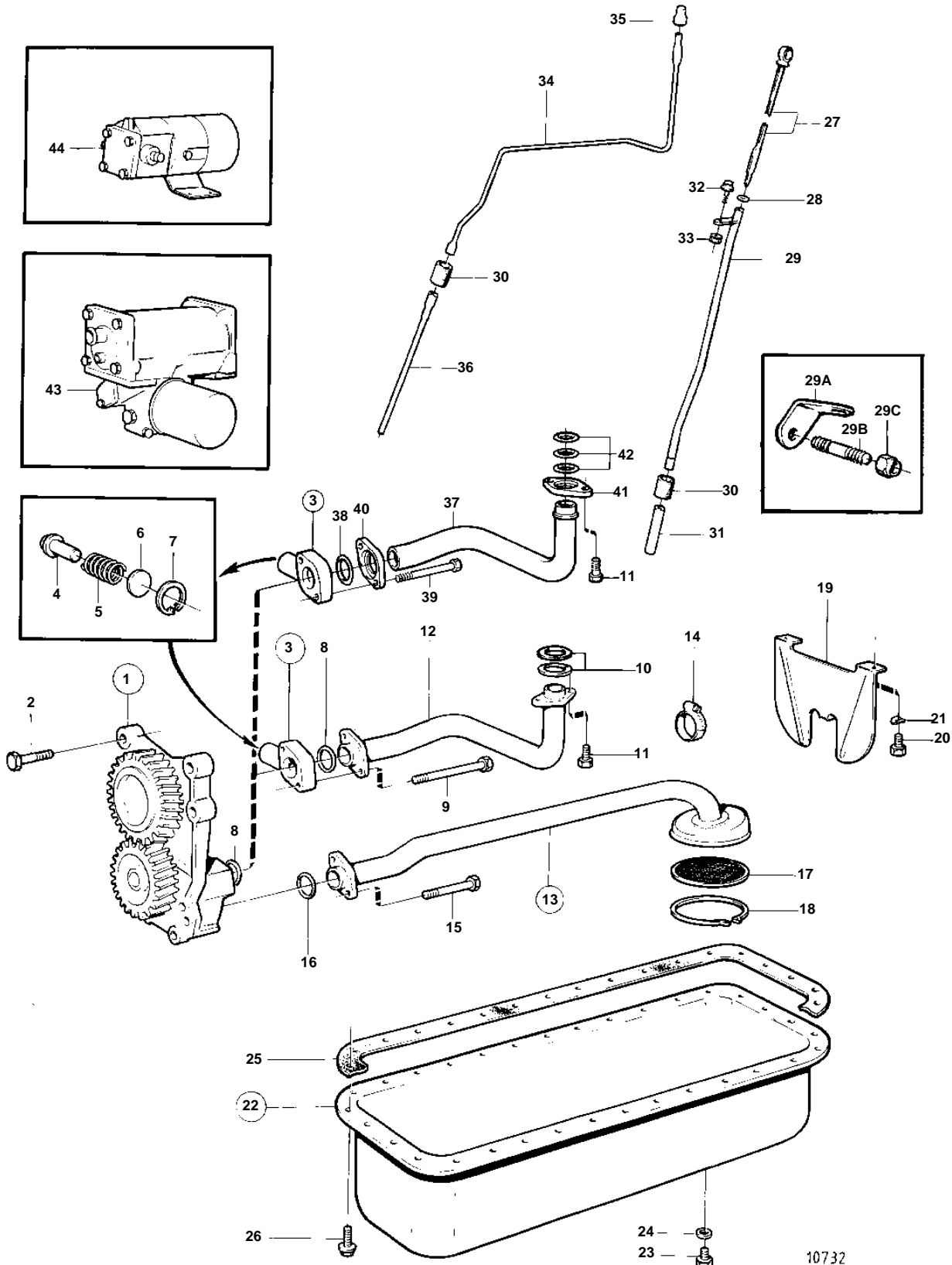


TMD41A,TAMD41A,D41A,AQAD41A,AD41A



10732

TMD41A,TAMD41A,D41A,AQAD41A,AD41A

| REF | PART NO. | QTY | DESCRIPTION | SEE SEC. | NOTES |
|-----|----------|-----|--|-----------|---|
| 1 | 1542210 | 1 | Oil pump, OIL PUMP | | |
| | | | | 02A-4850 | |
| | 860721 | 1 | Oil pump | | |
| | | | | 02A-4850 | |
| 2 | 948217 | 4 | Flange screw | | |
| 3 | 1542255 | 1 | Reducing valve | | REPL BY 860790. ONLY FOR PIPE 1542385 |
| | 860790 | | Reducing valve | | |
| | | | Bulletin 44-32 | 44-32-EN | Reduction Valve D31, 41, 42 |
| | | | Bulletin 44-32A | 44-32A-EN | Reduction Valve D31, 41, 42 |
| 4 | 471115 | 1 | • Reducing valve | | |
| 5 | 1542257 | 1 | • Spring | | |
| 6 | 948343 | 1 | • Washer | | |
| 7 | 914506 | 1 | • Lock ring | | |
| 8 | 469482 | 2 | O-ring | IK | |
| 9 | 965183 | 2 | Flange screw | | |
| 10 | 1542385 | 2 | Sealing ring | IK | |
| 11 | 946173 | 2 | Flange screw | | |
| 12 | 1542383 | 1 | Tube | | REPLACED BY 1EA PIPE 860821,1EA RELIEF VALVE 860790, 1EA SEAL RING 1545271,2EA SCREW 965184,1EA FLANGE 1545272 ,1EA FLANGE 1542248 AND 3EA SEAL RING 1542385. |
| 13 | 829491 | 1 | Tube | | |
| 14 | 943473 | 1 | • Hose clamp | | |
| 15 | 965217 | 2 | Flange screw | | |
| 16 | 949657 | 1 | O-ring | IK | |
| 17 | 403483 | 1 | Wire gauze | | |
| 18 | 118123 | 1 | Lock ring | | |
| 19 | 829492 | 1 | Baffle plate | | |
| 20 | 944926 | 2 | Flange screw | | |
| 21 | 942385 | 2 | Disc spring | | |
| 22 | 844909 | 1 | Oil pan | | |
| 23 | 948187 | 1 | • Plug | | |
| 24 | 18818 | 1 | • Gasket | IK | |
| 25 | 860685 | 1 | Gasket | IK | (1542247) |
| 26 | 946440 | 32 | Flange screw | | |
| 27 | 838801 | 1 | Oil dipstick | | |
| 28 | 949187 | 1 | • O-ring | | |
| 29 | 838791 | 1 | Tube | | |
| 29A | 858832 | 1 | Bracket | | PRODUCT NO.867977,868158,868429,868430, 868436 |
| 29B | | 1 | STUDBOLT | | SEE GROUP 2B |
| 29C | | 1 | NUT | | SEE GROUP 2B |
| 30 | 843533 | 2 | Rubber hose | | |
| 31 | 843692 | 1 | Tube | | |
| 32 | 965175 | 1 | Screw | | |
| 33 | 945407 | 1 | Flange nut | | |
| 34 | 838792 | 1 | Oil scavenging pipe | | |
| 35 | 943835 | 1 | Plug | | |
| 36 | 829579 | 1 | Tube | | |
| 37 | 860821 | 1 | Tube | | |
| 38 | 1545271 | 1 | Sealing ring | | |
| 39 | 965184 | 2 | Screw | | |
| 40 | 1545272 | 1 | Flange | | |
| 41 | 1542248 | 1 | Flange | | |
| 42 | 1542385 | 3 | Sealing ring | | |
| 43 | | X | OIL FILTER AND INSTALLATION COMPONENTS | 02A-5200 | |
| 44 | | X | • EL. OIL SUMP PUMP | | SEE GROUP 9 |