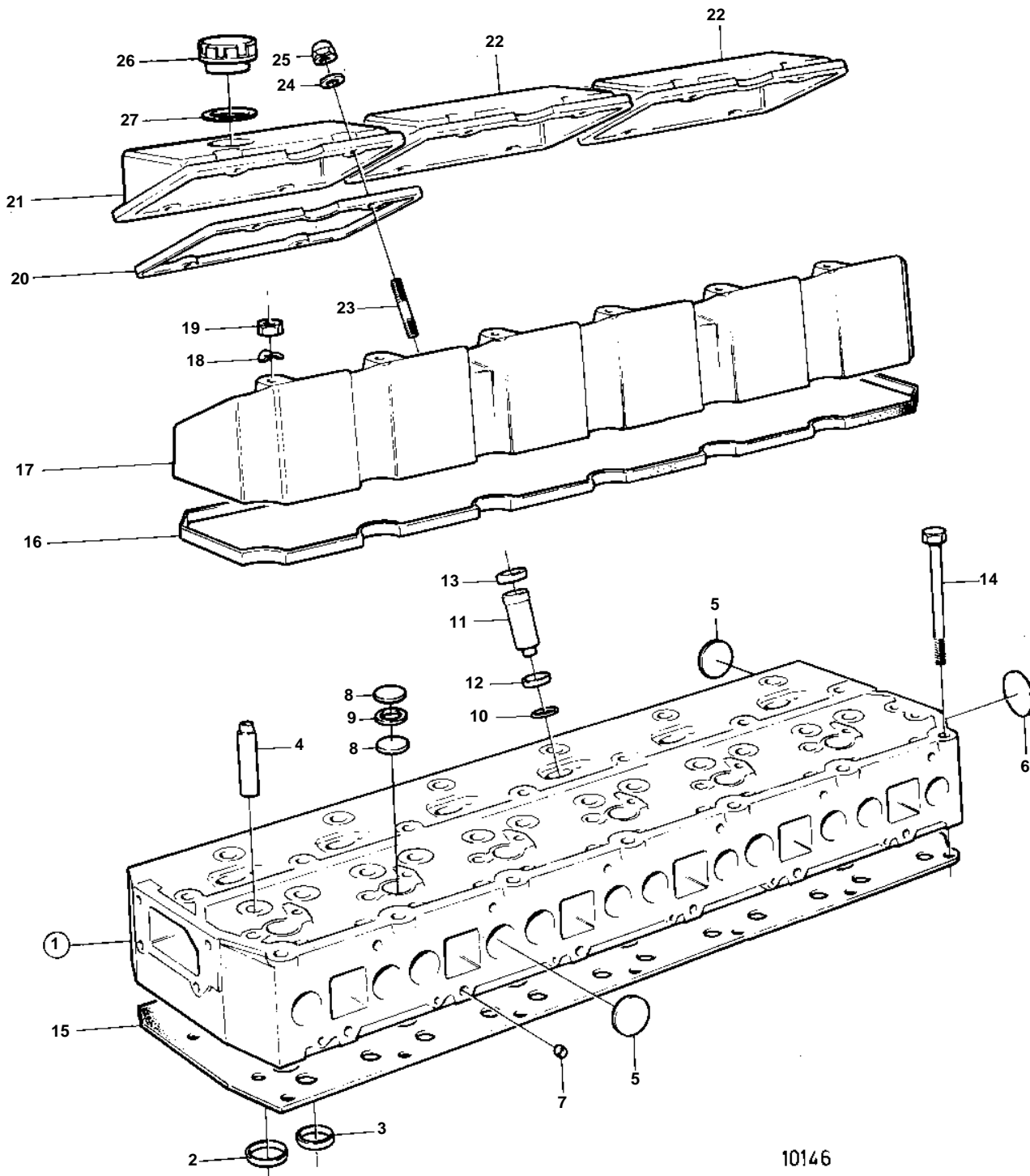


TMD41A,TAMD41A,TAMD41ASOLAS,D41A,AQAD41A,AD41A



10146

TMD41A,TAMD41A,TAMD41ASOLAS,D41A,AQAD41A,AD41A

REF	PART NO.	QTY	DESCRIPTION	SEE SEC.	NOTES
1	838601	1	Cylinder head		ALSO AVAILABLE AS AN EXCHANGE PART CONSISTING OF CYLINDER HEAD,INTAKE AND EXHAUST VALVES,VALVE SPRINGS,WASHERS AND LOCKS.
2	858328	6	· Valve seat, INLET		STD D
	858329	6	· Valve seat, INLET		OVER SIZE 0,20 MM
3	858331	6	· Valve seat, EXHAUST		STD D
	858332	6	· Valve seat, EXHAUST		OVER SIZE 0,20 MM
4	419653	12	· Valve guide		
5	477026	13	· Expansion plug		(192426)
6	968955	1	· Expansion plug		(941256)
7	967853	12	· Cap plug		
8	967948	12	· Expansion plug		
9	949329	6	· Gasket		
10	838821	6	· O-ring		
11	838609	6	· Spray sleeve		
12	838896	6	· Sealing ring		
13	838619	6	· Steel ring		
14	838775	27	Screw		
15	858992	1	Gasket	IK	
			Bulletin 44-29A	44-29A-EN	Cylinder Head Gasket
16	838653	1	Gasket	IK	
17	838649	1	Valve cover		
18	941907	4	Spring washer		
19	945408	4	Flange nut		
20	838654	3	Gasket		
21	838651	1	Valve cover		
22	838650	2	Valve cover		
23	953034	12	Stud		
24	955892	12	Washer		EARLY TYPE
25	948685	12	Nut		EARLY TYPE
	968458	12	Nut		LATE TYPE
26	1378985	1	Oil filler cap		EARLY TYPE
	3547599	1	Oil filler cap		LATE TYPE
27	940096	1	Gasket		FOR 1378985