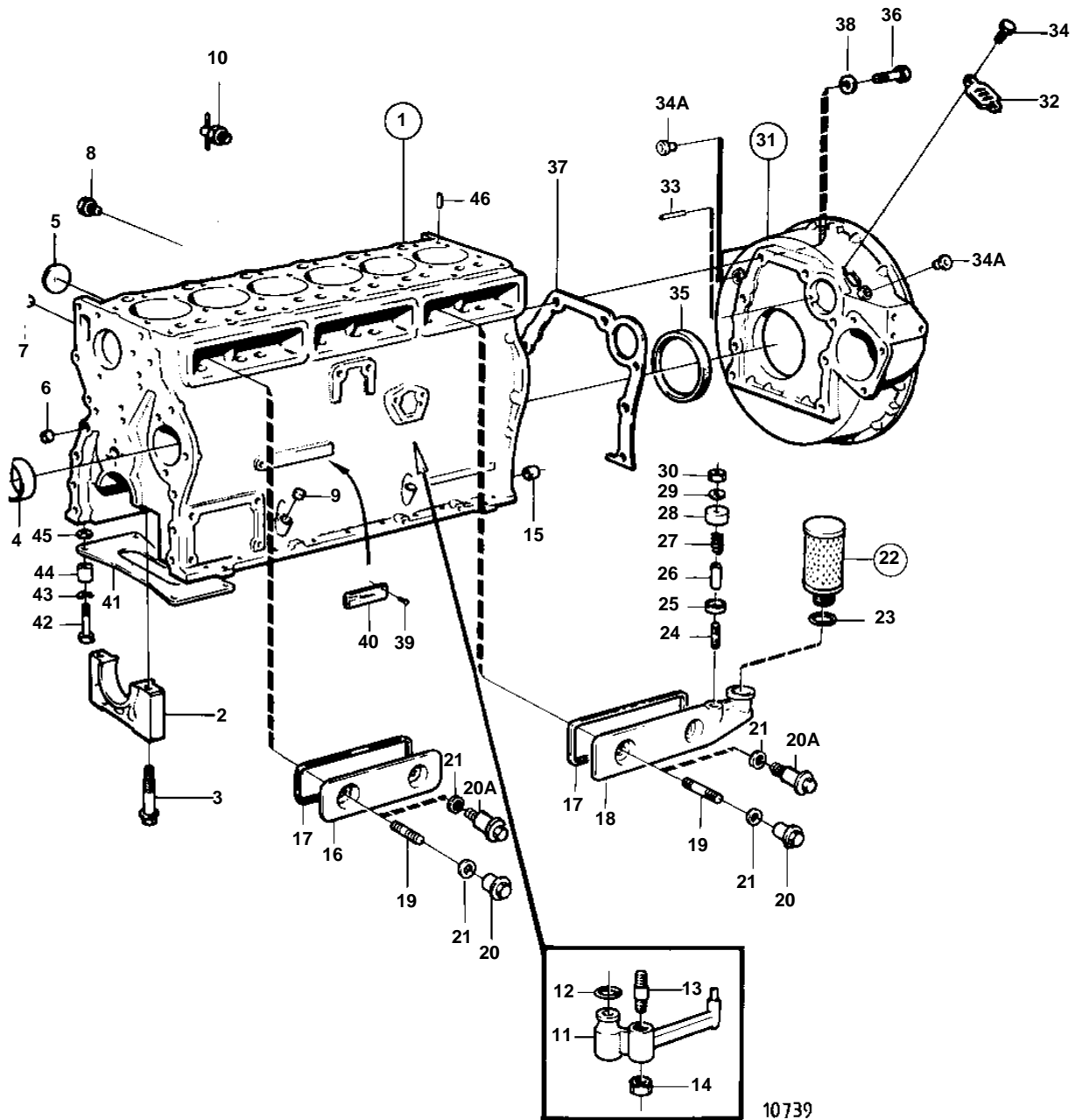


D41A,AQAD41A,AD41A



D41A,AQAD41A,AD41A

REF	PART NO.	QTY	DESCRIPTION	SEE SEC.	NOTES
1	838610	1	Cylinder block		
	860249	1	Cylinder block		
2		7	· BEARING CAP	02A-3200	
3	1542416	14	· Screw		
4	1542067	7	· Bushing	02A-3750	
5	463905	5	· Expansion plug		
6	955083	4	· Cap plug		
7	952077	2	Plug		
8	191026	5	Plug		
9	955082	1	Cap plug		
10	947893	1	Drain cock		
11	1542320	6	Oil jet		
12	955981	6	O-ring		
13	1542380	6	Stud		
14	946035	6	Lock nut		
15	415311	2	Sleeve		
16	1542050	2	Inspection lid		
17	1542052	3	Rubber seal	IK	
18	838763	1	Crankcase ventilatio		
19	924075	6	Stud		EARLY TYPE
20	1542286	6	Cap nut		LATE TYPE
20A	859447	6	Shoulder screw		EARLY TYPE
21	469846	6	Sealing ring	IK	REPL BY 876069
22	875850	1	Filter		
	876069	1	Filter		
23	843449	1	· Gasket	IK	
24	924058	1	Stud		
25	842972	1	Valve disc		
26	842974	1	Spacer sleeve		
27	843905	1	Spring		
28	842975	1	Cover		
29	858570	1	Seal	IK	
30	949278	1	Lock nut		
31	860291	1	Flywheel housing		(838851) REPL BY 860690
	860690	1	Flywheel housing		
32	407092	1	· Cover		
33	404069	1	· Setting indicator		
34	965175	2	· Screw		
34A	860926	2	· Plug		
35	860431	1	Sealing ring		
36	965185	6	Flange screw		L = 40 MM
	965220	2	Flange screw		L = 45 MM
37	829487	1	Gasket		
38	941908	8	Spring washer		
39	950885	2	Drive screw		
40		1	ENGINE SIGN		
41		1	BRACKET		
42	965187	4	Screw		
43	941908	4	Spring washer		
44	1545160	4	Spacer sleeve		
45	1545204	4	Spacer sleeve		
46	946402	2	Pin		