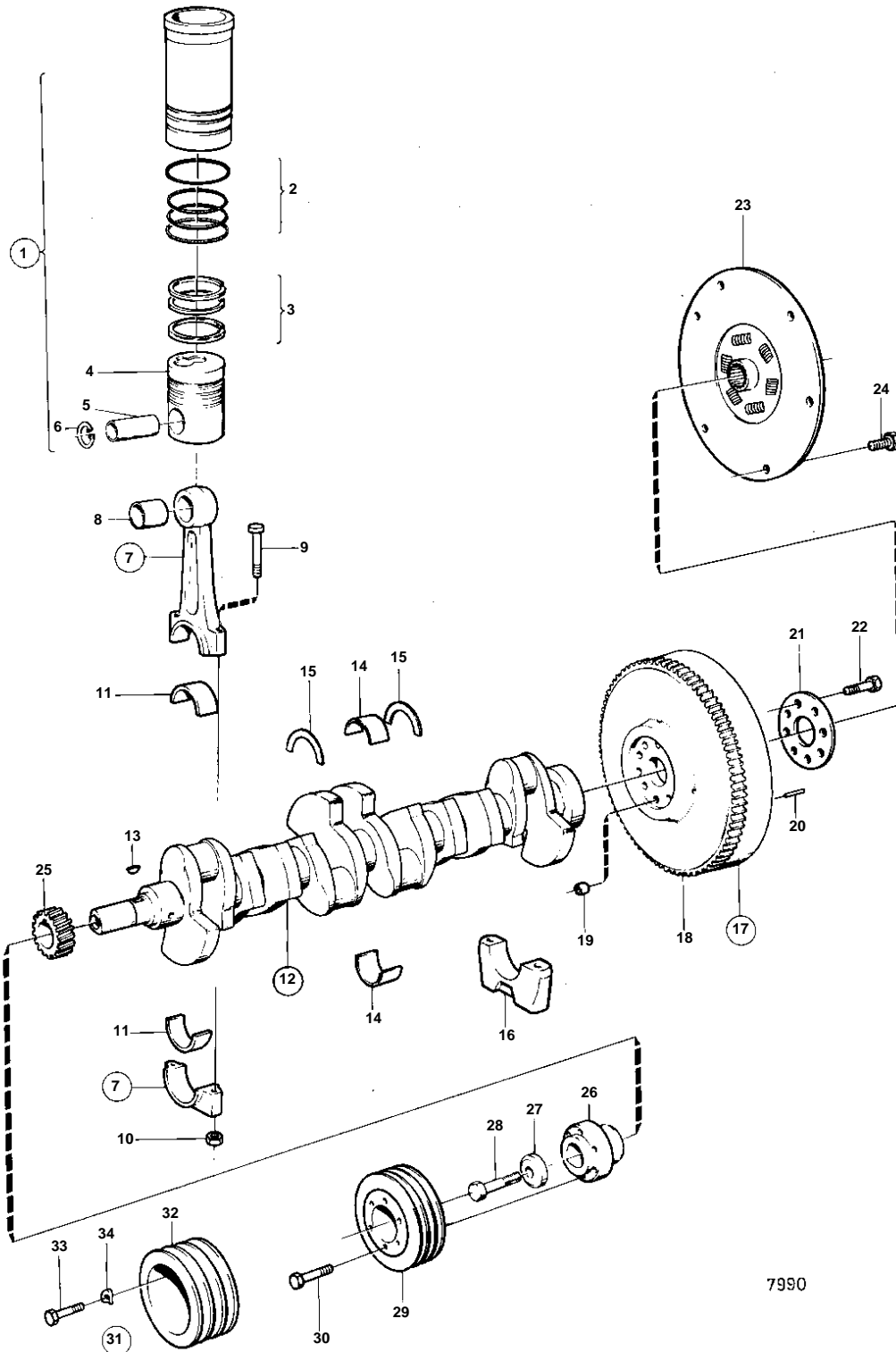


D41A,AQAD41A,AD41A



7990

D41A,AQAD41A,AD41A

REF	PART NO.	QTY	DESCRIPTION	SEE SEC.	NOTES
1	876099	6	Cylinder liner kit		
2	275751	6	· Sealing ring kit		
3	275350	6	· Piston ring kit		
4		6	· PISTON		
5	1542160	6	· Piston pin		
6	914519	12	· Lock ring		
7	1542072	6	Connecting rod		
8	1542076	6	· Bushing		
9	1542077	12	· Screw		
10	1542078	12	· Nut		
11	270111	6	Big end bearing kit		STD D
	270112	6	Big end bearing kit		UNDER SIZE 0,25 MM
	270113	6	Big-end bearing kit		UNDER SIZE 0,50 MM
	270114	6	Big end bearing kit		UNDER SIZE 0,75 MM
12	1545231	1	Crankshaft		
			Bulletin 44-22	44-22-EN	New Crankshaft
13	910118	1	· Woodruff key		
14	270467	7	Main bearing kit		STD D
	270468	7	Main bearing kit		UNDER SIZE 0,25 MM
	270469	7	Main bearing kit		UNDER SIZE 0,50 MM
	270470	7	Main bearing kit		UNDER SIZE 0,75 MM
15	270464	1	Thrust washer kit		STD D
	270465	1	Thrust washer kit		OVER SIZE 0,1 MM
	270466	1	Thrust washer kit		OVER SIZE 0,2 MM
16		7	BEARING CAP	02A-2750	
17	860726	1	Flywheel		(838850)
18	829462	1	· Gear ring		
19	415311	1	· Sleeve		
20	191873	3	· Locating pin		
21	1542093	1	Bolt plate		
22	1544147	8	Screw		
23	855617	1	Vibration damper		
24	946173	6	Flange screw		
25	1542305	1	Gear	02A-4250	
26	1542196	1	Hub		
27	420124	1	Washer		
28	1542149	1	Screw		
29	838725	1	Vibration damper		
30	948217	6	Flange screw		
31		1	PULLEY		SEE GROUP 9
32		1	· PULLEY		SEE GROUP 9
33		6	· SCREW		SEE GROUP 9
34		6	· RESILIENT WASHER		SEE GROUP 9