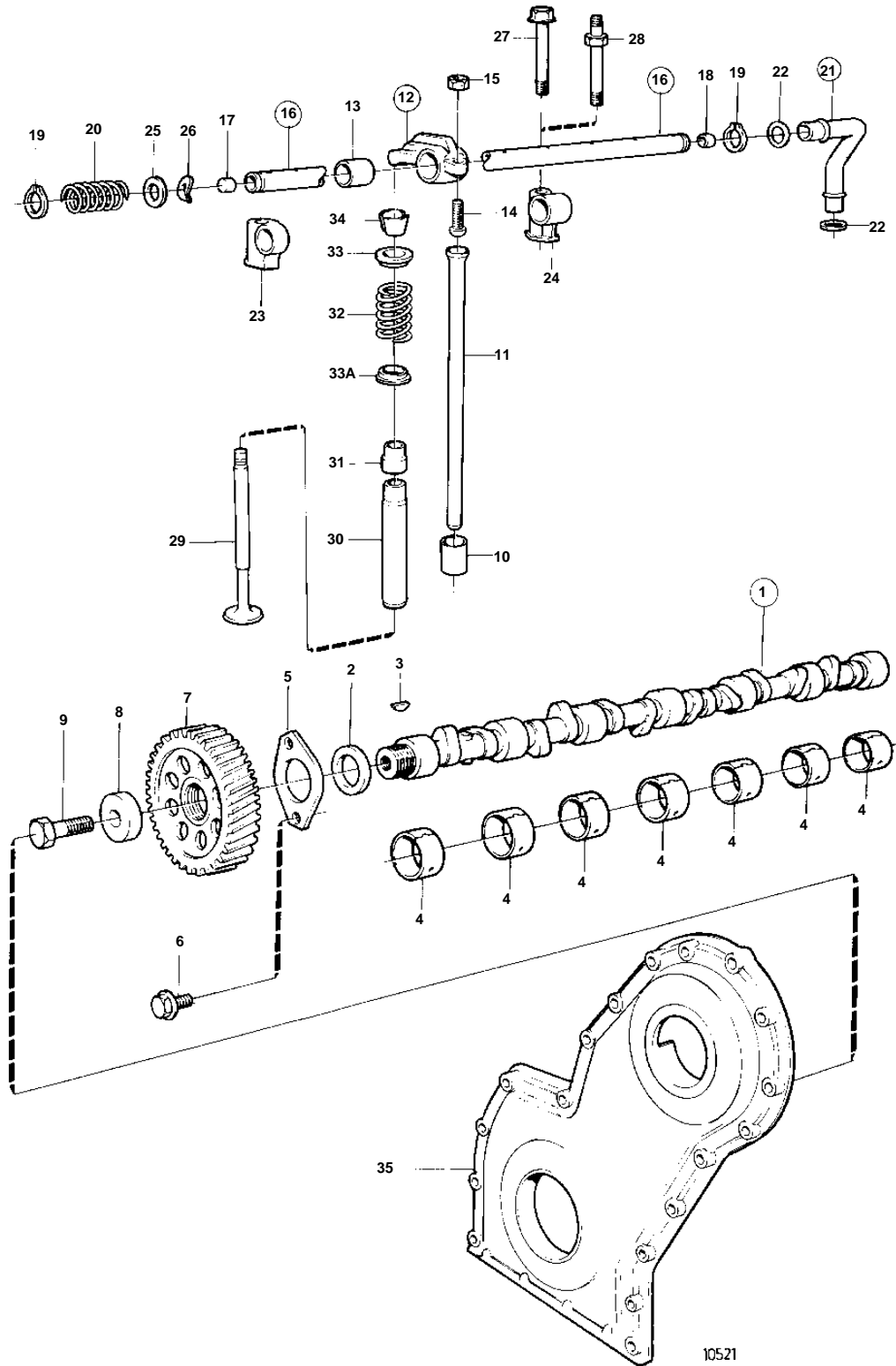


TMD41A,TAMD41A



TMD41A,TAMD41A

REF	PART NO.	QTY	DESCRIPTION	SEE SEC.	NOTES
1	838632	1	Camshaft		
2	1542221	1	· Spacer washer		
3	910116	1	· Key		
4	1542067	7	Bushing	02A-2600	
5	838992	1	Thrust washer		
6	946440	2	Flange screw		
7	1542034	1	Gear	02A-4100	
8	1542223	1	Washer	02A-4100	
9	965193	1	Screw		L = 50 MM
10	1542208	12	Tappet		
11	838636	12	Push rod		
12	418301	6	Rocker arm		NO. 1-3-5-7-9-11
	418298	6	Rocker arm		NO. 2-4-6-8-10-12
13	418297	12	· Bushing		
14	418286	12	· Ball stud		
15	921781	12	· Nut		
16	838643	1	Rocker arm shaft		
17	955083	1	· Cap plug		
18	840444	1	· Sleeve		
19	914456	2	Lock ring		
20	411139	5	Spring		
21	860686	1	Intermediate pipe		
22	969198	2	· O-ring		
23	838726	1	Bearing bracket		
24	838647	5	Bearing bracket		
25	840686	2	Washer		
26	400722	2	Washer		
27	965188	2	Screw		
28	838732	4	Stud		
29	838637	6	Inlet valve		
	838638	6	Exhaust valve		
30	419653	12	Valve guide		
31	859171	12	Valve stem seal		INLOPP-INLET
32	1545198	12	Valve spring		
33	838639	12	Spring washer		
33A	1332137	12	Valve spring washer		
34	465284	24	Lock		
35		X	TIMING GEAR COVER AND GEARS	02A-4100	