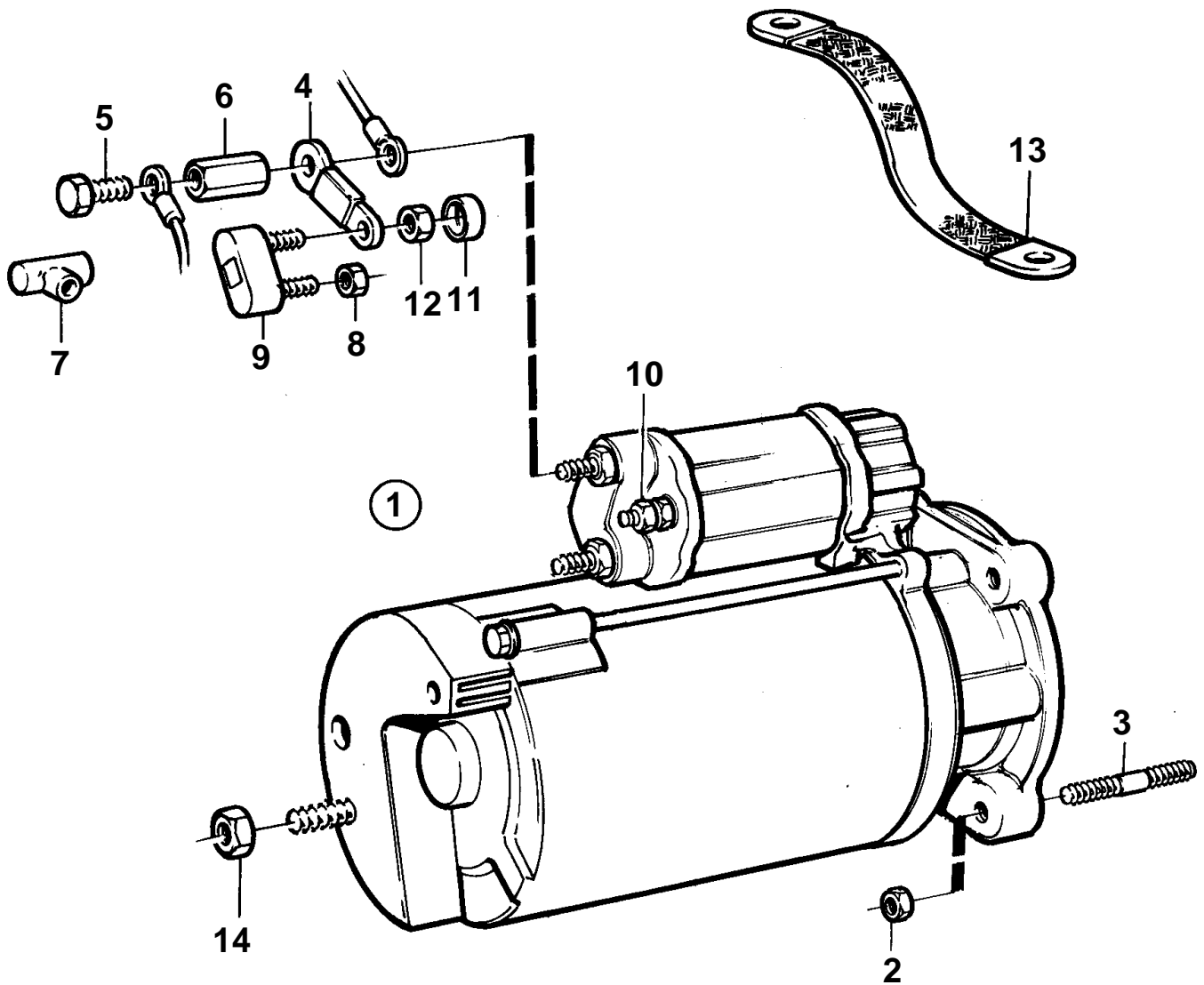


D41B,AD41B



D41B,AD41B

REF	PART NO.	QTY	DESCRIPTION	SEE SEC.	NOTES
1	859252	1	Starter motor		ALSO AVAILABLE AS AN EXCHANGE PART.
				030-1710	
2	971095	3	Nut		
2A	945987	1	Lock washer		
3	953067	3	Stud		
4	860212	1	Current bar		
5	947107	1	Flange screw		
6	855314	1	Nut		
7	855798	1	Protecting sleeve		
8	945407	1	Flange nut		
9	856355	1	Fuse		
10	965483	1	Nut		
11	853572	1	Protective cap		
12	853573	1	Nut		
13	968048	1	Cable		
14	945408	1	Flange nut		