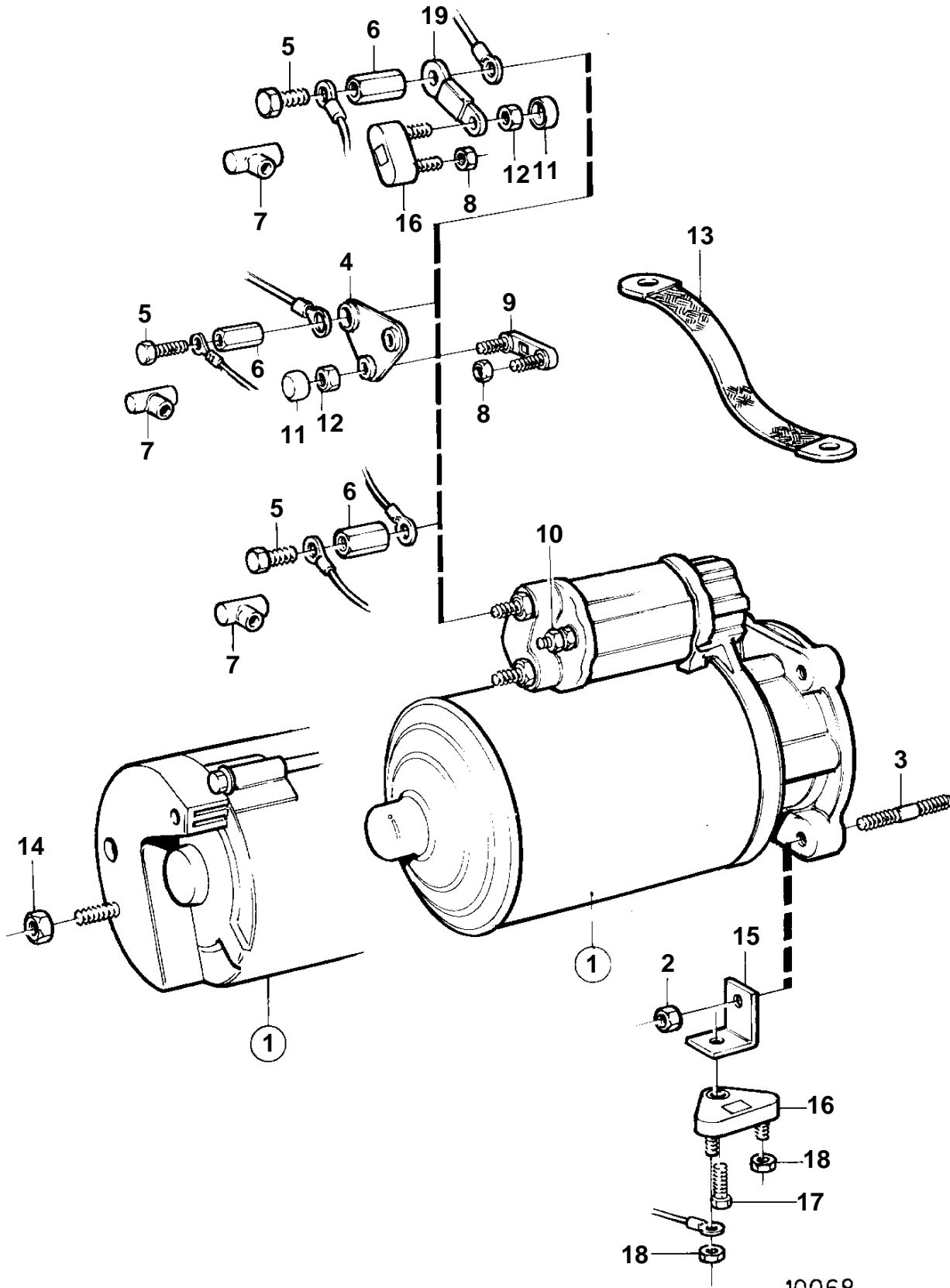


D41A,AQAD41A,AD41A



10068

D41A,AQAD41A,AD41A

REF	PART NO.	QTY	DESCRIPTION	SEE SEC.	NOTES
1	829527	1	Starter motor		REPLACED BY STARTER MOTOR 859252,GROUND CABLE 968048 AND NUT 945408. ALSO AVAILABLE AS AN EXCHANGE PART.
				030-1700	
	859252	1	Starter motor		SN2204114257-. ALSO AVAILABLE AS AN EXCHANGE PART.
				030-1710	
2	971095	3	Nut		
3	953067	3	Stud		
4	852986	1	Current bar		SN-2204125506 REPL BY 860212
5	947107	1	Flange screw		
6	855314	1	Nut		
7	855798	1	Protecting sleeve		
8	945407	1	Flange nut		
9	856355	1	Fuse		(853502)
10	965483	1	Nut		
11	853572	1	Protective cap		
12	853573	1	Nut		
13	968048	1	Cable		FOR 859252
14	945408	1	Flange nut		FOR 859252
15	846780	1	Bracket		SN2204125507-2204126624
16	856355	1	Fuse		
17	946544	1	Flange screw		
18	945407	2	Flange nut		
19	860212	1	Current bar		SN2204126625-