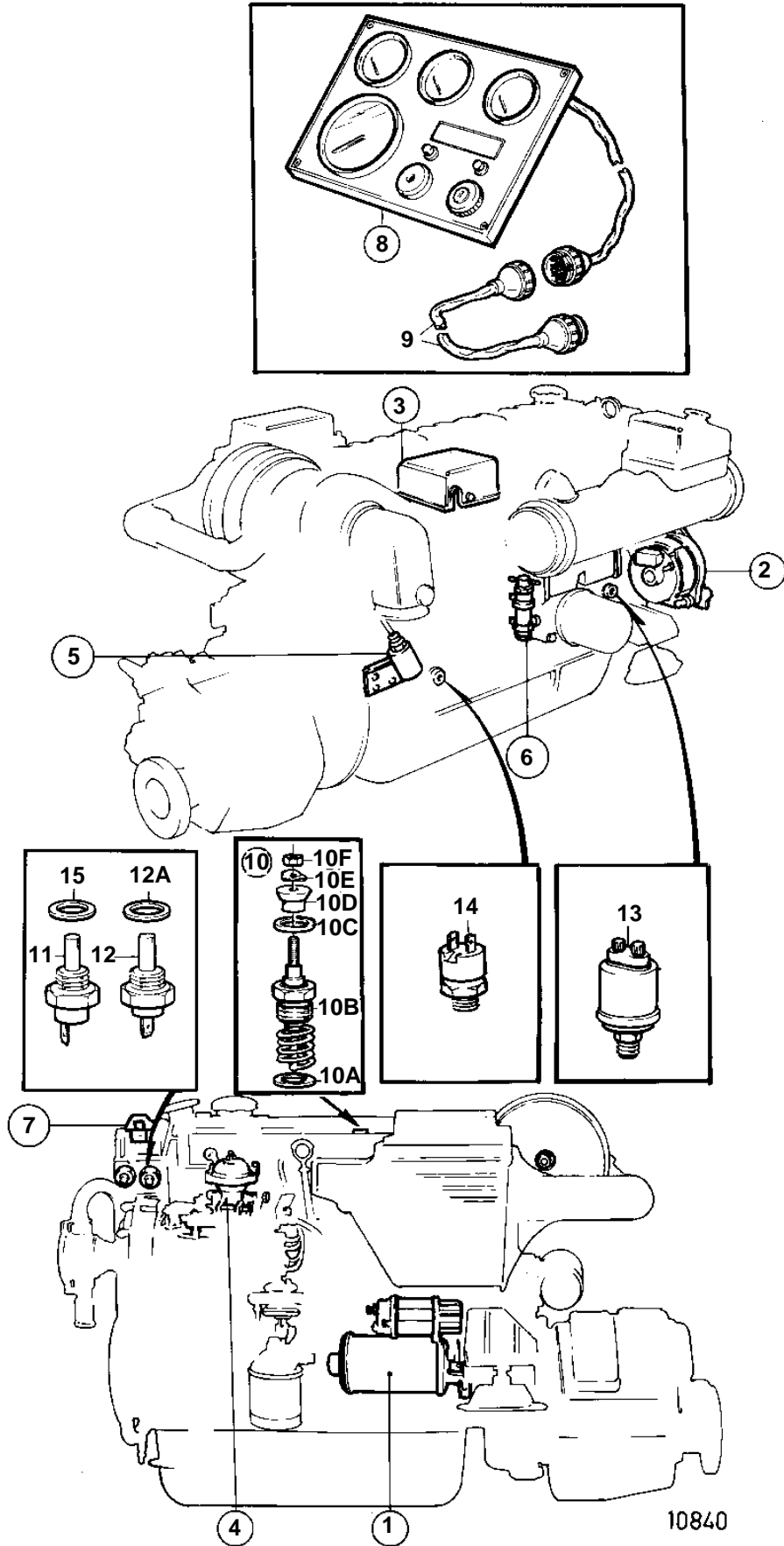


TAMD41A SOLAS



TAMD41A SOLAS

REF	PART NO.	QTY	DESCRIPTION	SEE SEC.	NOTES
1		1	STARTER MOTOR WITH INSTALLATION COMPONENTS	030-1500	
2		1	ALTERNATOR WITH INSTALLATION COMPONENTS	030-1140	
3		1	ELECTRICAL BOX WITH INSTALLATION COMPONENTS	030-0800	
4		1	MICRO SWITCH WITH INSTALLATION COMPONENTS	030-2192	
5		1	SOLENOID WITH INSTALLATION COMPONENTS	030-2185	
6		1	TILT SWITCH WITH INSTALLATION COMPONENTS	030-2194	
7		1	RELAY WITH INSTALLATION COMPONENTS	030-2196	
8	859063	1	Instrument panel		24V REPL BY 864041
				030-2170	
	864041	1	Instrument panel		24V
				030-2172	
9	846648	X	Extension cable		L = 3000 MM
	846649	X	Extension cable		L = 5000 MM
	846650	X	Extension cable		L = 7000 MM
10	876132	2	Heater plug kit		
10A	859211	4	· Sealing ring		
10B		4	· GLOW PLUG		
10C		4	· O-RING		
10D	859328	4	· Thrust sleeve		
10E	941905	4	· Spring washer		
10F	965483	4	· Nut		
11	858229	1	Thermo monitor		24V
12	862326	1	Temp sensor kit		24V
12A	947624	1	· Gasket		
13	862324	1	Oil press sensor kit		
14	864284	1	Pressure monitor		(848367)
15	957181	1	Gasket		