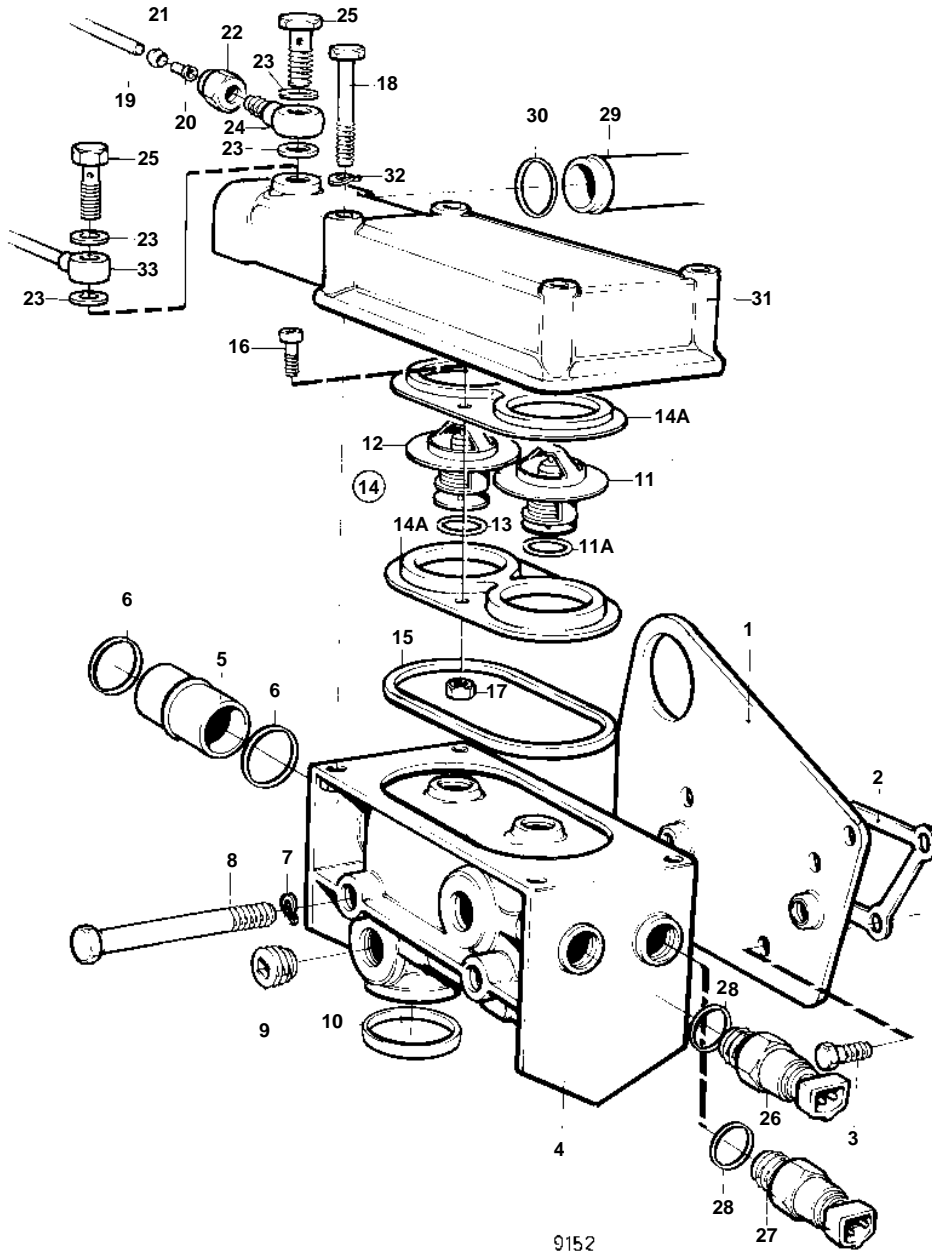


TMD41A,TAMD41A,D41A,AQAD41A,AD41A



TMD41A,TAMD41A,D41A,AQAD41A,AD41A

REF	PART NO.	QTY	DESCRIPTION	SEE SEC.	NOTES
1	838703	1	Adapter		
2	1542187	1	Gasket		
3	955295	4	Screw		
4	838704	1	Thermostat housing		
5	838739	1	Tube		THERMOSTAT HOUSING-HEAT EXCHANGER.
6	968927	2	O-ring		
7	941907	2	Spring washer		
8	965183	2	Flange screw		
9	952077	2	Plug		
10	1542198	1	Sealing ring	02B-1000	
11	876128	1	Thermostat kit		(273952) 81%Z9
11A	416033	1	· Sealing ring		
12	875849	1	Thermostat kit		81%Z9. WITH AIR VENTING VALVE
13	416033	1	· Sealing ring		
14	876145	1	Retainer kit		
14A	859229	2	· Retainer		
15	838807	1	· Sealing ring		
16	963554	2	· Screw		
17	966170	2	· Nut		
18	965217	4	Flange screw		
19	945460	1	Plastic pipe		L = 95 MM EARLY TYPE. THERMOSTAT HOUSING-HEAT EXCHANGER.
20	944717	1	Sleeve		EARLY TYPE
21	954364	1	Fitting		EARLY TYPE
22	954356	1	Cap nut		EARLY TYPE
23	11994	2	Gasket		
24	945417	1	Nipple		EARLY TYPE
25	969299	1	Hollow screw		(74040)
26	827151	1	Temperature sensor		12V
	843325	1	Temperature sensor		24V
27	833927	1	Thermo monitor		12V
	858229	1	Thermo monitor		24V
28	957181	2	Gasket		
29	838798	1	Coolant pipe		HEAT EXCHANGER-THERMOSTAT HOUSING.
30	968927	1	O-ring		
31	838789	1	Housing		
32	941907	4	Spring washer		
33	860230	1	Air vent hose		LATE TYPE. TURBO-HEAT EXCHANGER-THERMOSTAT HOUSING