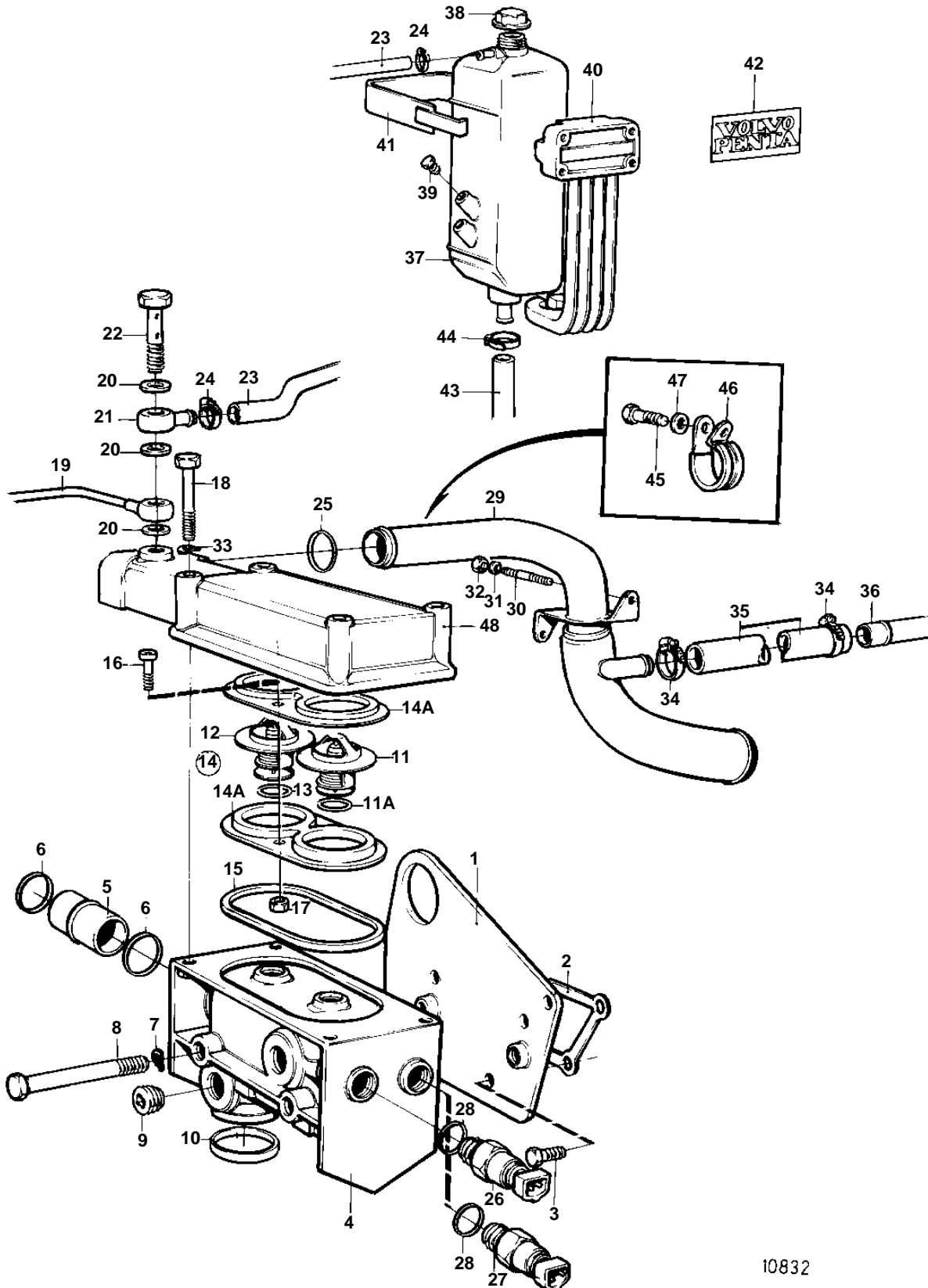


TAMD41A



10832

THERMOSTAT HOUSING AND EXPANSION TANK WITH INSTALLATION COMPONENTS

02B

TAMD41A

REF	PART NO.	QTY	DESCRIPTION	NOTES
1	838703	1	Adapter	
2	1542187	1	Gasket	
3	955295	4	Screw	
4	838704	1	Thermostat housing	
5	838739	1	Tube	
6	968927	2	O-ring	
7	941907	2	Spring washer	
8	965183	2	Flange screw	
9	952077	2	Plug	
10	1542198	1	Sealing ring	**
11	876128	1	Thermostat kit	(273952) 81%Z9
11A	416033	1	· Sealing ring	
12	875849	1	Thermostat kit	81%Z9. WITH AIR VENTING VALVE
13	416033	1	· Sealing ring	
14	876145	1	Retainer kit	
14A	859229	2	· Retainer	
15	838807	1	· Sealing ring	
16	963554	2	· Screw	
17	966170	2	· Nut	
18	965217	4	Flange screw	
19	858898	1	Air vent pipe	REPL BY 860215. TURBO-THERMOSTAT HOUSING
	860215	1	Air vent hose	TURBO-HEAT EXCHANGER-THERMOSTAT HOUSING
20	11994	3	Gasket	
21	858750	1	Banjo nipple	
22	947975	1	Hollow screw	
23	943366	X	Hose	
24	943470	2	Hose clamp	
25	968927	1	O-ring	
26	827151	1	Temperature sensor	12V
27	833927	1	Thermo monitor	12V
28	957181	2	Gasket	
29	858519	1	Tube	
30	953001	2	Stud	
31	941907	2	Spring washer	
32	971095	2	Nut	(945409)
33	941907	4	Spring washer	
34	943475	2	Hose clamp	
35	944386	X	Hose	L = 325 MM
36	838780	1	Coolant pipe	AFTER COOLER-OUTLET
37	843759	1	Expansion tank	
38	844624	1	Pressure cap	
39	947760	2	Flange screw	(836268)
40	843260	1	Bracket	
41	843266	1	Clamp	
42	858889	1	Decal	REPLACED BY DECAL KIT 876234
	876234	1	Decal set	
43	952969	X	Rubber hose	EXPANSION TANK-INLET
44	943472	1	Hose clamp	
45	946544	1	Flange screw	
46	967645	1	Clamp	
47	955892	1	Washer	
48	838789	1	Housing	