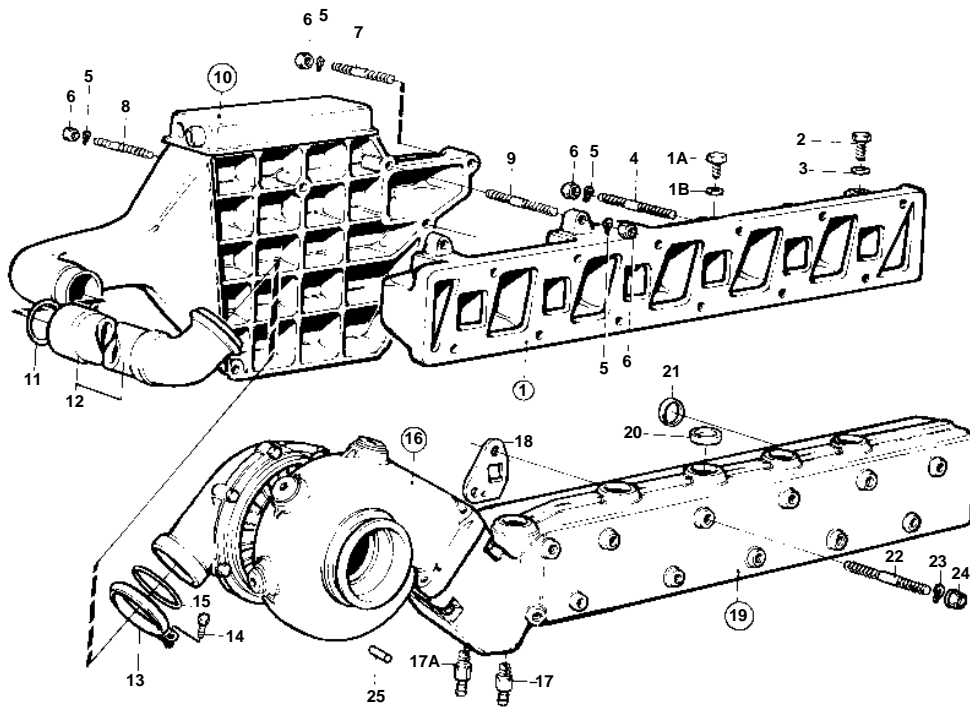


TAMD41A



S136

TAMD41A

| REF | PART NO. | QTY | DESCRIPTION | SEE SEC. | NOTES |
|-----|----------|-----|-----------------|----------|----------------|
| 1 | 838690 | 1 | Inlet pipe | | |
| | 859300 | 1 | Inlet pipe | | |
| 1A | 960634 | 2 | · Plug | | FOR 859300 |
| 1B | 947627 | 2 | · Gasket | | FOR 859300 |
| 2 | 960632 | 1 | Plug | | |
| 3 | 947624 | 1 | Gasket | | |
| 4 | 924068 | 9 | Stud | | L = 50 MM |
| | 17942 | 1 | Stud | | L = 110 MM |
| 5 | 941907 | 13 | Spring washer | | |
| 6 | 945408 | 13 | Flange nut | | |
| 7 | 17942 | 1 | Stud | | L = 110 MM |
| 8 | 838854 | 1 | Stud | | L = 185 MM |
| 9 | 953049 | 1 | Stud | | L = 50 MM |
| 10 | | 1 | AFTER COOLER | | |
| | | | | 02B-2400 | |
| 11 | 471449 | 1 | Sealing ring | | |
| 12 | 838693 | 1 | Connection pipe | | |
| 13 | 838864 | 1 | Clamp | | |
| 14 | 947542 | 1 | Screw | | |
| 15 | 967944 | 1 | O-ring | | |
| 16 | 838697 | 1 | Turbo | 02B-2036 | |
| 17 | 949918 | 1 | Drain cock | | |
| 17A | 947893 | 1 | Drain cock | | |
| 18 | 838673 | 6 | Gasket | | REPL BY 876144 |
| | 876144 | 3 | Gasket kit | | |
| 19 | 838687 | 1 | Exhaust pipe | | |
| 20 | 946780 | 12 | Cap plug | | |
| 21 | 838766 | 1 | Sealing ring | | |
| 22 | 953001 | 8 | Stud | | L = 120 MM |
| | 953002 | 2 | Stud | | L = 125 MM |
| | 953003 | 1 | Stud | | L = 130 MM |
| | 953007 | 1 | Stud | | L = 150 MM |
| 23 | 941908 | 12 | Spring washer | | |
| 24 | 971095 | 12 | Nut | | |
| 25 | 951930 | 1 | Spring pin | | |