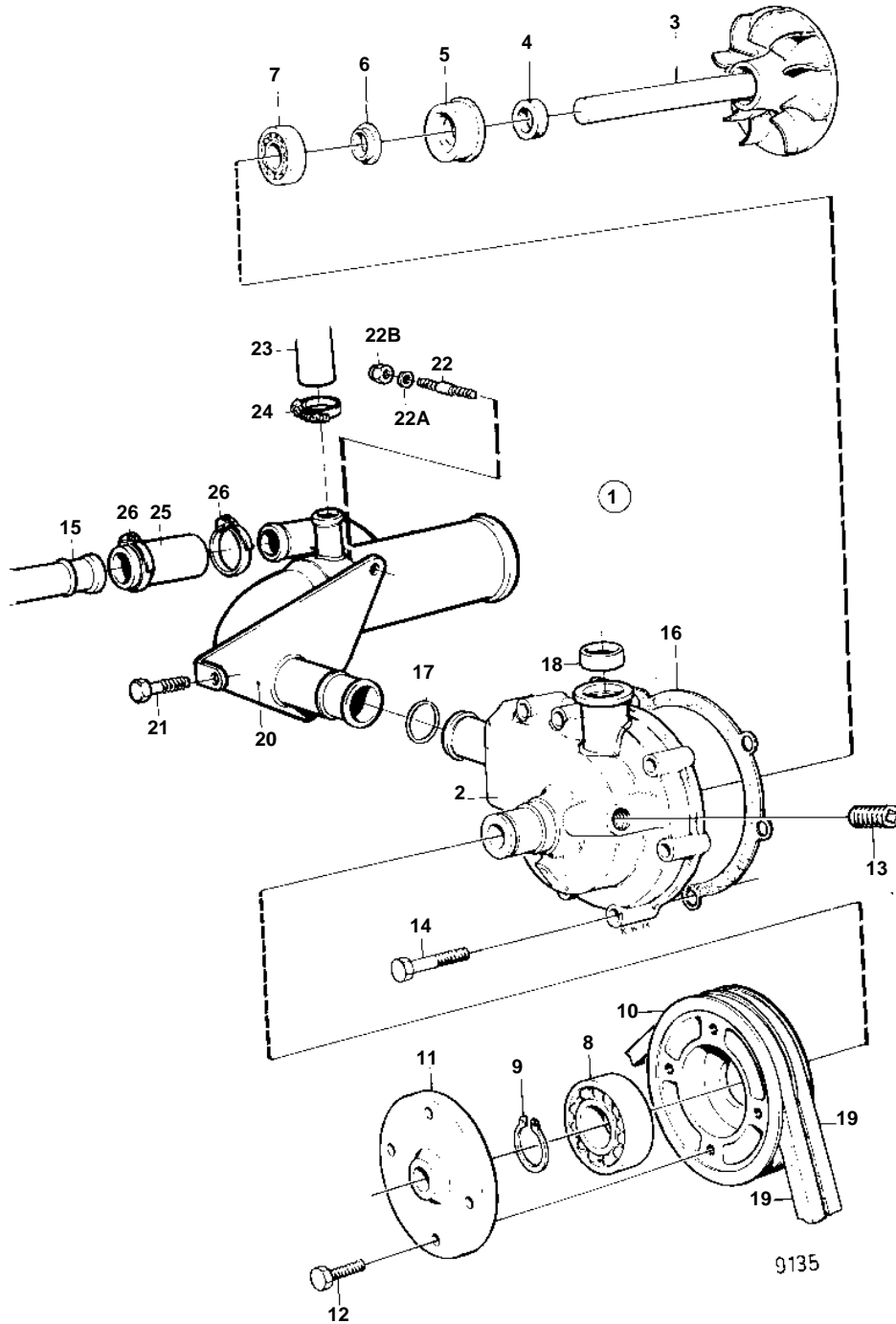


TAMD41A



## TAMD41A

REF	PART NO.	QTY	DESCRIPTION	SEE SEC.	NOTES
1	838699	1	Water pump		SN-2204109809 REPL BY 859127
2		1	· HOUSING		
3		1	· SHAFT	IK	
4	421306	1	· Wear ring	IK	
5	1545283	1	· Sealing ring	IK	
6	70913	1	· Deflector	IK	
7	1660609	1	· Ball bearing	IK	
8	181538	1	· Ball bearing	IK	
9	914462	1	· Lock ring	IK	
10	1542235	1	· Pulley		
11	1542236	1	· Hub		
12	946173	4	· Flange screw		
13	941907	4	· Spring washer		
14	947760	6	· Flange screw		
	875626	X	Repair kit		REPL BY 275617
	275617	X	Repair kit		REPL BY 271080
	271080	X	Repair kit		SEE GROUP 10A
15	858522	1	Tube		INLET-WATER PUMP
16	859027	1	Gasket	IK	
17	925067	1	O-ring		
18	1542198	1	Sealing ring	IK	02B-2480
19		X	DRIVE BELT		SEE GROUP 3
20	858520	1	Tube		
21	946670	1	Flange screw		
22	953001	1	Stud		02B-2352
22A	941907	1	Spring washer		
22B	971095	1	Nut		(945409)
23	952969	X	Rubber hose		L = 1940 MM. EXPANSION TANK-INLET
24	943472	1	Hose clamp		
25	944386	X	Hose		L = 90 MM
26	943475	2	Hose clamp		