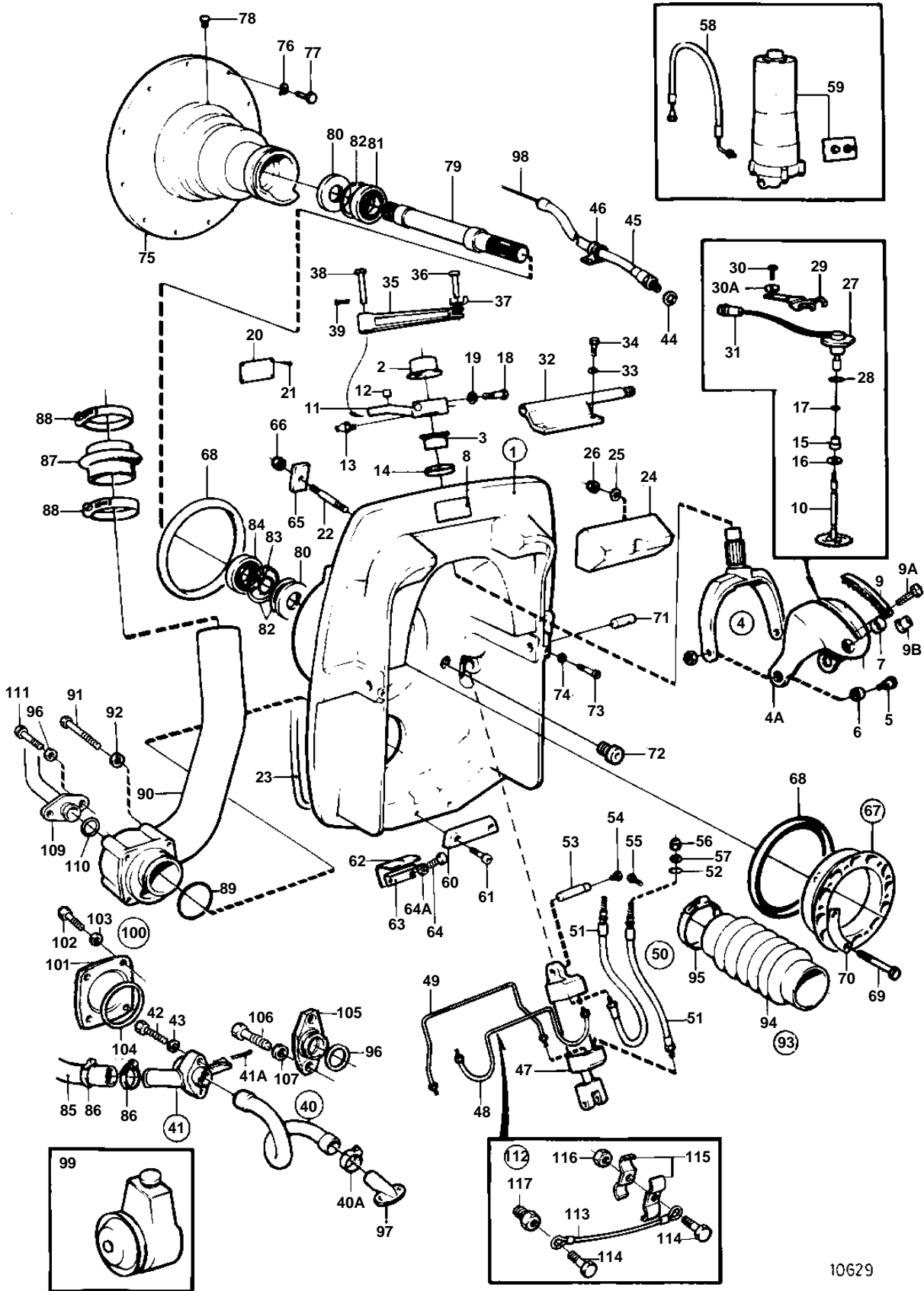


AD41B,D41B



10629

## AD41B,D41B

REF	PART NO.	QTY	DESCRIPTION	SEE SEC.	NOTES
1	876150	1	Transom shield		
2	853864	1	• Bushing		
3	853863	1	• Bushing		
4	854066	1	• Steering fork kit		
4A		1	• • PROTECTION CAP		
5		2	• • SHOUTER SCREW		
6		2	• • BUSHING		
7	853048	1	• Bushing		
8	852827	1	• Sign		
9	854063	1	• Gear segment		
9A	853759	1	• Screw		
9B	853760	1	• Rivet nut		
10	852984	1	• Drive gear		
11	853017	1	• Spindle arm		
12	949368	1	• Bushing		
13	914169	1	• Lubricating nipple		
14	839195	1	• Ring		
			• Bulletin 48-23	48-23-EN	Seal Ring
15	851430	1	• Bushing		
16	966207	1	• Sealing ring		
17	925050	1	• O-ring		
18	959241	1	• Screw		
19	942336	1	• Spring washer		
20	853706	1	• Type plate		
21	804269	2	• Drive screw		
22	853982	6	• Stud		SN-1101591651
	853595	6	• Stud		SN 1101591652-. NOTE
23	852868	1	Sealing strip		
24	854133	1	Rubber cushion		
25	960148	2	Washer		
26	971089	2	Lock nut		
27	828726	1	Potentiometer		
28	955991	1	O-ring		
29	853039	1	Bracket		
30	940199	1	Screw		
30A	941907	1	Spring washer		
31		X	CABLES AND TERMINALS		SEE GROUP 3
32	852775	1	Cable attachment		
33	941908	2	Spring washer		
34	970950	2	Screw		
35	852786	1	Link rod		
36	913158	1	Clevis pin		
37	853160	1	Lock washer		
38	852788	1	Clevis pin		
39	907856	1	Cotter pin		
40	875847	1	Hose kit		
40A	853548	2	• Hose clamp		
41	853517	1	Tap		
41A	967707	1	• Cotter pin		
42	955515	2	Screw		
43	941906	2	Spring washer		
44	897745	1	Gasket		
45	839091	1	Hose		
46	952635	1	Clamp		
47	853439	2	Hydraulic cylinder		REPL BY 854610
48	852830	1	Tube		
49	852832	1	Tube		
50	854752	1	Hydraulic hose		SN 1101592794-
51	854710	1	• Hydraulic hose		FRONT
	854711	1	• Hydraulic hose		REAR
52	925053	4	• O-ring		
53	852748	2	Pin		
54	852879	1	Plug		

## AD41B,D41B

REF	PART NO.	QTY	DESCRIPTION	SEE SEC.	NOTES
55	853060	2	Flange screw		
56	853100	2	Nut		
57	853059	2	Washer		
58	852839	2	Hose		
59		1	HYDRAULIC PUMP AND TRIM INSTRUMENT WITH INSTALLATION COMPONENTS	04A-1300	
60	852835	1	Zinc electrode		
61	946541	2	Screw		
62	852877	1	Check valve		
63	852878	1	Attaching plate		
64	963545	2	Screw		
64A	941670	2	Washer		
65	852866	6	Washer		
66	963108	6	Nut		
67	854317	1	Clamping ring kit		
68	813967	2	· Rubber ring		
69	191844	6	· Screw		
70	806624	3	· Striker plate		
71	853175	2	Pivot pin		
72	853215	1	Plug		
73	963699	2	Screw		
74	941670	2	Washer		
75	844519	1	Flywheel housing		
76	941908	10	Spring washer		
77	946752	10	Flange screw		
	963075	1	Set screw		
78	804262	1	Plug		
79	853809	1	Shaft		
80	958860	2	Sealing ring		
81	11013	1	Ball bearing		
82	914533	3	Snap ring		
83	914462	1	Lock ring		
84	181105	1	Ball bearing		
85	858517	1	Hose		
86	961670	2	Hose clamp		
87	858955	1	Exhaust hose		SEE GROUP 2B
88	943483	2	Hose clamp		SEE GROUP 2B
89	925260	1	O-ring		
90	853718	1	Exhaust grommet		PRODUCT NO.868429,868430, 868977,868432,868158. PRODUCT NO.868188
	853535	1	Exhaust pipe		PRODUCT NO.868436. PRODUCT NO.868192,868193,868242,868288
91	955328	4	Screw		
92	960148	4	Washer		
93	875848	1	Bellows kit		
94		1	· BELLOW		
95	961675	1	· Hose clamp		
96	940191	2	Washer		
97	854031	1	Hose connection		SEE GROUP 4C
98		X	CONTROL CABLE		SEE GROUP 9
99		X	POWER STEERING		SEE GROUP 6
100	1140003	1	Cover plate		ALT
101	854584	1	· Flange		(838934)
102	955315	4	· Screw		
103	941908	4	· Spring washer		
104	925260	1	· O-ring		
105	858061	1	Seal flange		ALT
106	955515	2	Screw		
107	941906	2	Spring washer		
108	925066	1	O-ring		

