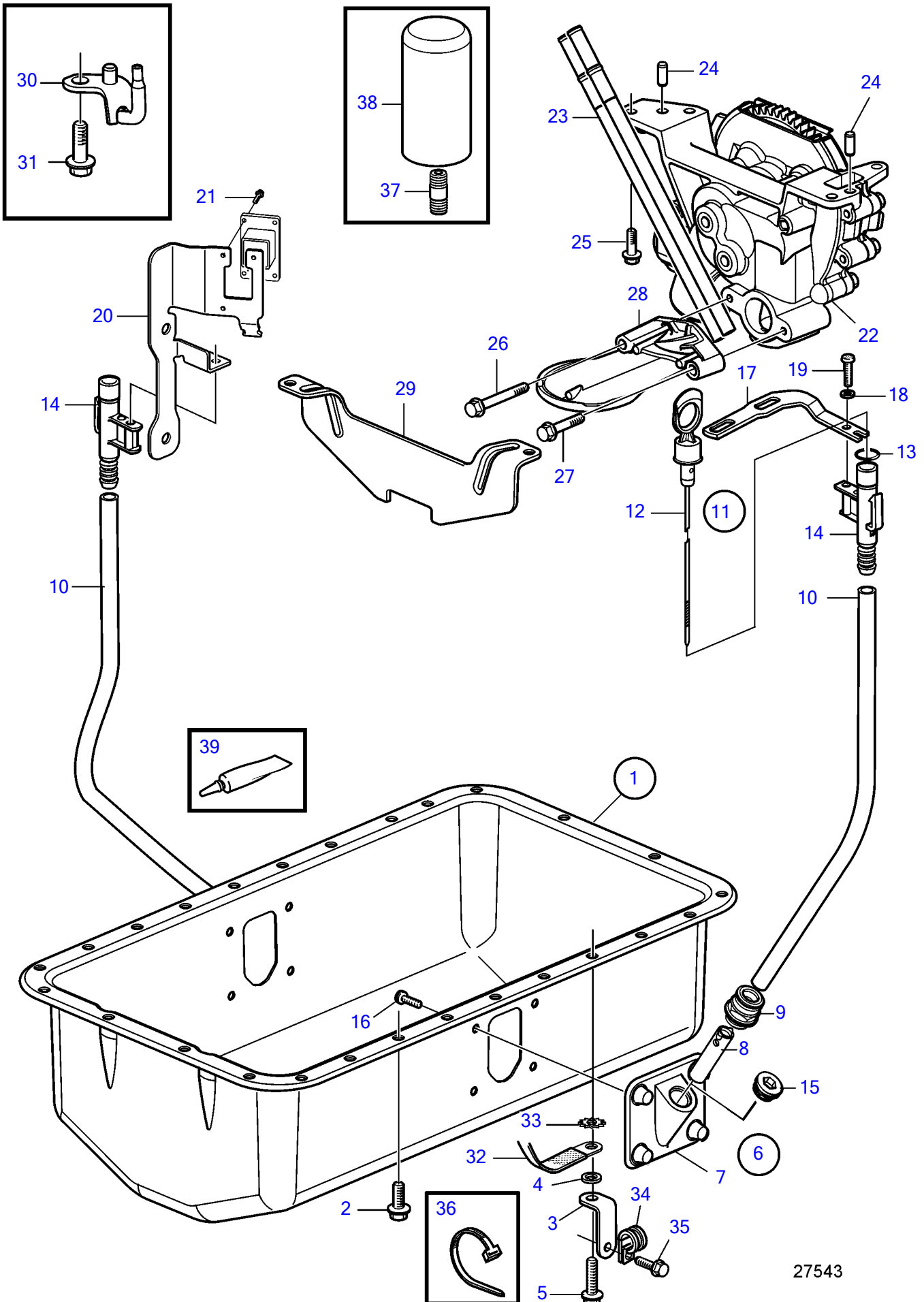


D4-180I-F, D4-225A-F, D4-225I-F, D4-260A-F, D4-260D-F, D4-260I-F, D4-300A-F, D4-300D-F, D4-300I-F



27543

D4-180I-F, D4-225A-F, D4-225I-F, D4-260A-F, D4-260D-F, D4-260I-F, D4-300A-F, D4-300D-F, D4-300I-F

REF	PART NO.	QTY	DESCRIPTION	SEE SEC.	NOTES
1	3582685	1	Sump		
2	946440	25	Flange screw		
3	3584088	1	Angle bracket		
4	941744	1	Washer		
5	946173	1	Flange screw		
6	3887580	1	Pipe retainer		
7	3886957	2	• Pipe retainer		
8	22456382	1	Guide		
9	3886951	1	• Nipple		
10	3593955	1	Pipe		
11	3594848	1	Kit		
12	21650012	1	• Oil dipstick		
13	944124	1	• O-ring		
14	11129411	1	• Anchorage		
15	3886953	1	Plug		When dipstick are not used
16	969420	8	6 point socket screw		
17	21226128	1	Bracket		
18	960138	1	Washer		
19	975378	1	6 point socket screw		
20	21997963	1	Bracket		
21	968476	3	Flange screw		
22	3582667	1	Oil pump		
			•	6479	
23	3583465	2	Drain pipe		
24	950564	2	Pin		
25	946173	4	Flange screw		
26	965181	1	Flange screw		L=70mm
27	973924	1	Flange screw		L=50mm
28	3583127	1	Oil strainer		
29	3595241	1	Baffle plate		
30	3883144	4	Piston cooling jet		
31	3583804	4	Flange screw		
32	968048	1	Chassis ground cable		Sump-alternator.
33	942767	1	Toothed washer		
34	952629	1	Clamp		
35	946501	1	Flange screw		
36	948211	1	Cable tie		
37	423067	1	Nipple	37256	
	3583695	1	Nipple	37256	
38	3582732	1	Oil filter	37256	
	21632901	1	Oil filter	37256	
39	1161771	X	Sealing compound		