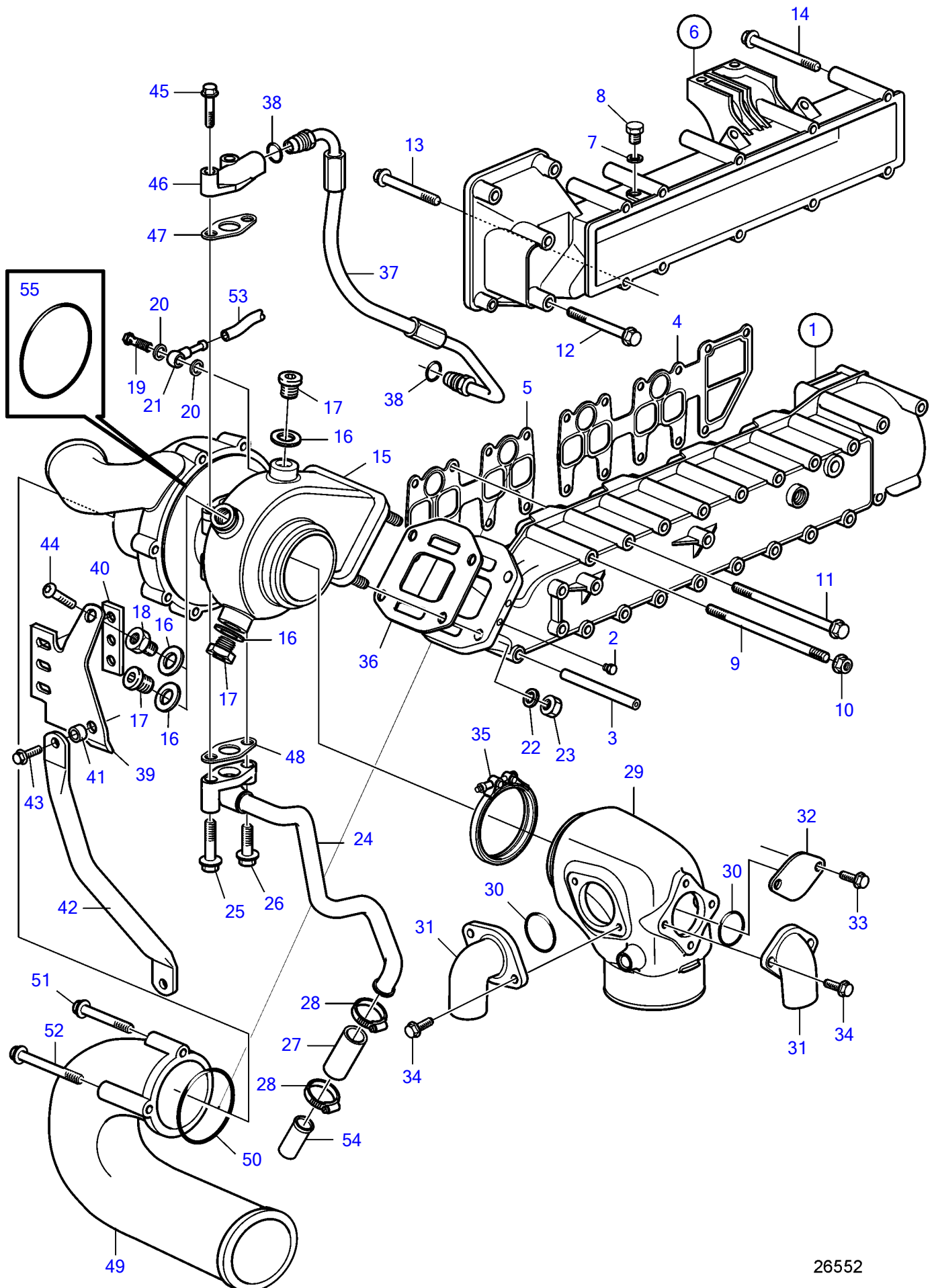


D4-260A-F, D4-260D-F, D4-260I-F



26552

## D4-260A-F, D4-260D-F, D4-260I-F

REF	PART NO.	QTY	DESCRIPTION	NOTES
1	3841197	1	Exhaust manifold	
2	479979	1	• Plug	
3	3583116	1	• Spring pin	
4	3583336	1	Gasket	
5	3582725	1	Gasket	
6	3808941	1	Inlet pipe	
7	11994	1	• Gasket	
8	966142	1	• Plug	
9	948194	4	Stud	
10	945408	4	Flange nut	
11	968999	16	Flange screw	L=130mm
12	947760	2	Flange screw	
13	965184	9	Flange screw	L=100mm
14	965182	1	Flange screw	L=80mm
15	3802149	1	Turbocharger	
			• parts not sold separately	
16	947627	2	Gasket	
17	861551	1	Plug	
18	861646	2	Plug	
19	969299	1	Hollow screw	
20	11994	2	Gasket	
21	858750	1	Banjo nipple	
22	955895	4	Washer	
23	940183	4	Hexagon nut	
24	3582967	1	Oil return pipe	
25	948217	1	Flange screw	
26	945444	1	Flange screw	
27	466328	1	Hose	
28	994559	2	Hose clamp	
29	21684826	1	Exhaust riser	
30	969415	2	O-ring	
31	21450768	2	Connector	
32	3584006	1	Cover	
33	947542	2	Flange screw	
34	948356	4	Flange screw	
35	21325765	1	V-band clamp	
36	21452196	1	Gasket	
37	40005392	1	Oil pressure pipe	
38	976971	2	• O-ring	
39	3586073	1	Bracket	
40	(3586070)	1	• Nut retainer	Obsolete part
41	860699	1	Spacer sleeve	
42	3586071	1	Support	
43	946472	1	Flange screw	
44	946471	1	Flange screw	
45	947760	2	Flange screw	
46	8192268	1	Flange	
47	420641	1	Gasket	
48	860105	1	Gasket	
49	3812945	1	Connector	
50	949841	1	O-ring	
51	965180	1	Flange screw	
52	968842	2	Flange screw	
53	942700	X	Hose	L=600mm
54	3583622	1	Hose connection	
55	3887153	1	O-ring	