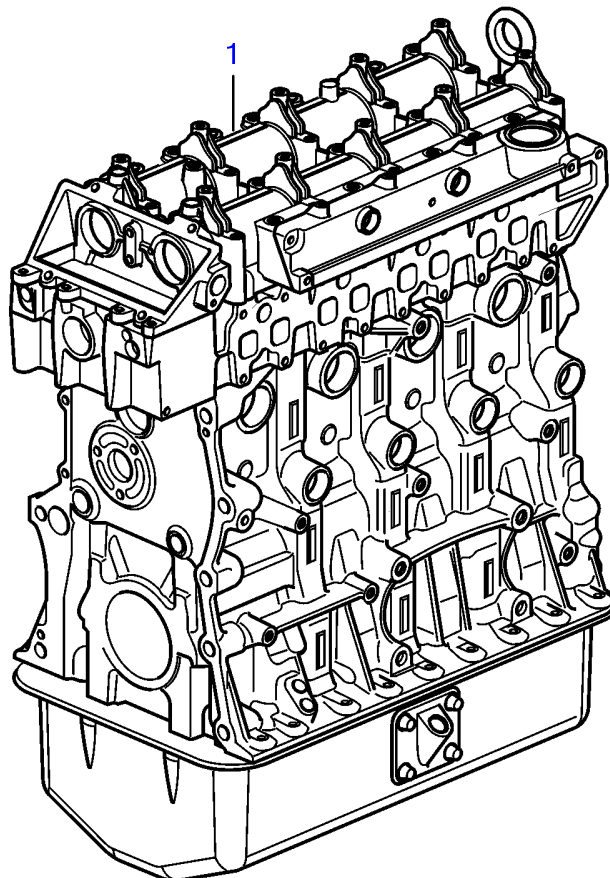
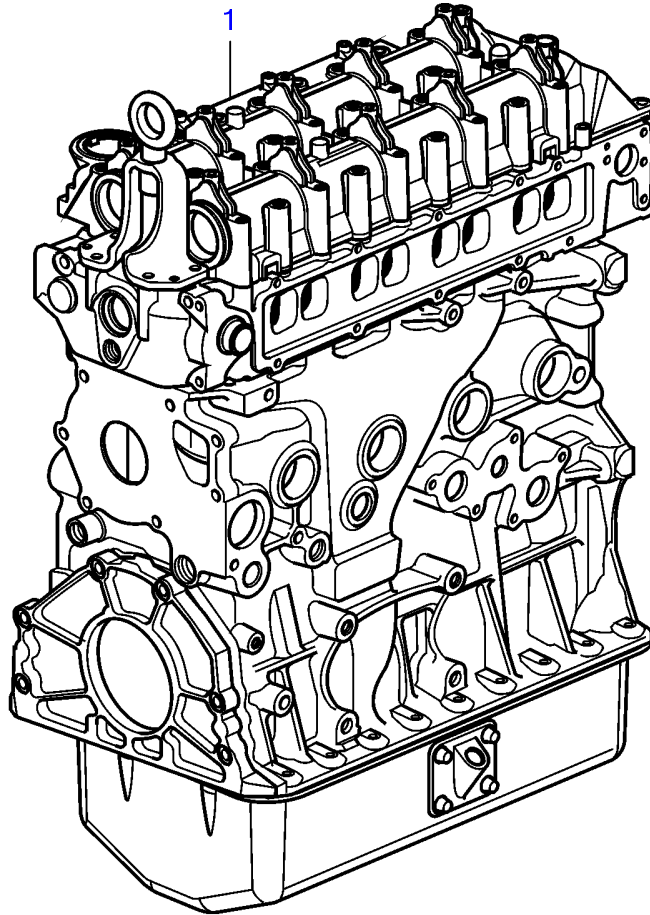


D4-300A-F, D4-300D-F, D4-300I-F



D4-300A-F, D4-300D-F, D4-300I-F

REF	PART NO.	QTY	DESCRIPTION
1	3801491	1	Longblock