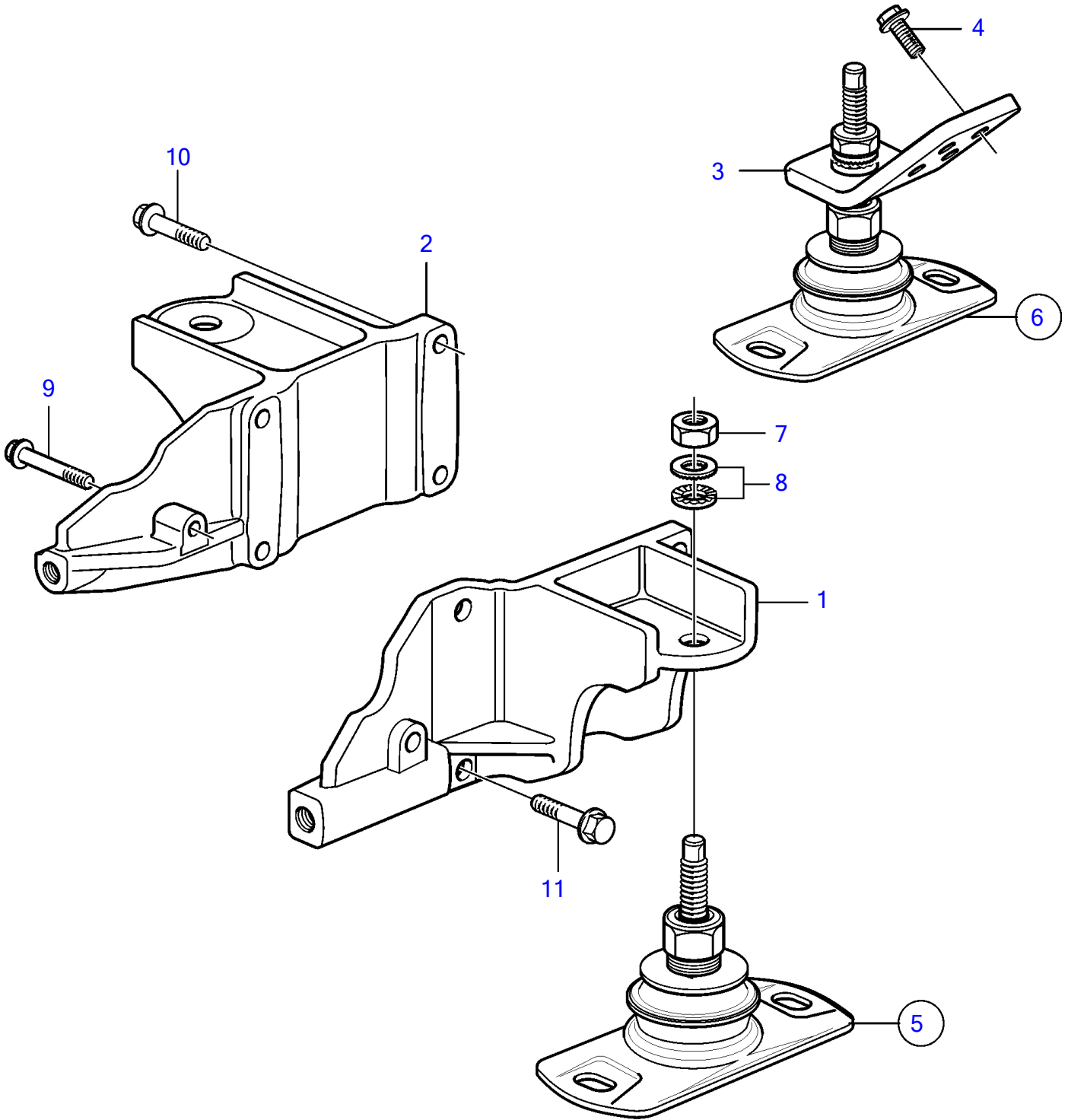


D4-180I-F, D4-225I-F, D4-260D-F, D4-260I-F, D4-300D-F, D4-300I-F



26722

D4-180I-F, D4-225I-F, D4-260D-F, D4-260I-F, D4-300D-F, D4-300I-F

REF	PART NO.	QTY	DESCRIPTION	SEE SEC.	NOTES
1	21487639	1	Engine bracket		
2	21487641	1	Engine bracket		S.B, Front
3	3583620	2	Engine bracket		Rear
4	965192	8	Flange screw		L=40mm
5	3595043	2	Rubber cushion		
			▪ Bulletin P-21-8-1	P-21-8-1-EN	Comfort Engine Suspension
			▪ Bulletin P-08-2-2	P-08-2-2-EN	Measuring Gauge for Rubber Mounts
6	3595043	2	Rubber cushion		
			▪ Bulletin P-21-8-1	P-21-8-1-EN	Comfort Engine Suspension
			▪ Bulletin P-08-2-2	P-08-2-2-EN	Measuring Gauge for Rubber Mounts
7	955786	1	▪ Hexagon nut		
8	847766	1	▪ Lock washer		
9	965188	1	Flange screw		L=70mm
10	965192	8	Flange screw		L=40mm
11	965186	1	Flange screw		L=50mm