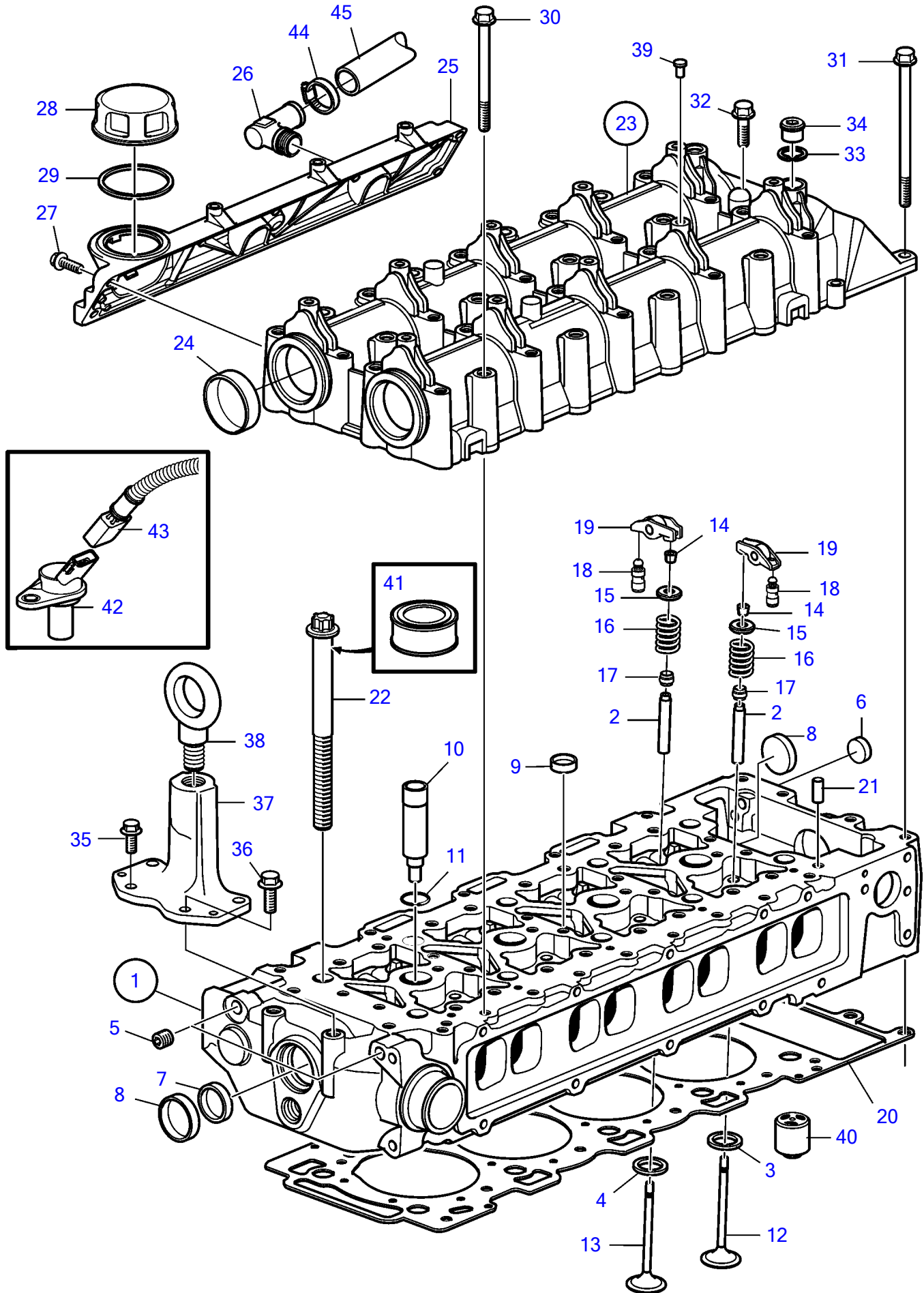


D4-180I-F, D4-225A-F, D4-225I-F, D4-260A-F, D4-260D-F, D4-260I-F



26599

D4-180I-F, D4-225A-F, D4-225I-F, D4-260A-F, D4-260D-F, D4-260I-F

REF	PART NO.	QTY	DESCRIPTION	SEE SEC.	NOTES
1	3801255	1	Cylinder head		
2	3580892	16	• Valve guide		
3	3581861	8	• Valve seat, intake		
4	3581862	8	• Valve seat, exhaust		
5	990828	4	• Plug		
6	3588502	2	• Expansion plug		
7	24426721	2	• Expansion plug		
8	8131707	2	• Cap plug		
9	3583579	7	• Expansion plug		
10	889970	4	• Sleeve		
11	3583753	4	• O-ring		
12	3884010	8	• Inlet valve		
13	3884015	8	• Exhaust valve		
14	861703	32	• Valve cotter		
15	3889240	16	• Valve spring washer		
16	3581889	16	• Valve spring		
17	861700	16	Valve seal		
			• Installation Instruction 7738839	7738839-EN	Changing of valve stem seal
18	3581894	16	Rocker arm		
19	3581893	16	Cam		
20	21165389	1	Gasket		
21	950564	2	Pin		
22	21384459	10	Six point screw		
23	21454061	1	Valve cover		
24	8130035	2	• Expansion plug		
25		1	• Cover		
26	3583959	2	• • Elbow nipple		
27	948356	5	• Flange screw		
28	1275403	1	Oil filler cap		
29	1275379	1	Gasket		
30	965182	28	Flange screw		
31	968999	3	Flange screw		
32	945444	1	Flange screw		
33	947622	2	Gasket		
34	966143	2	Plug		
35	946329	2	Flange screw		
36	946173	2	Flange screw		
37	3888143	1	Lifting bracket		
38	984458	1	Lifting eye		
39	3584061	10	Washer		
40	3582933	2	Valve		
41	3588347	X	Lubricant		25G
42	21426987	1	Speed sensor		
43	21138239	1	Wiring harness		
44	994559	1	Hose clamp	37288	
45	190993	1	Hose		L=265mm