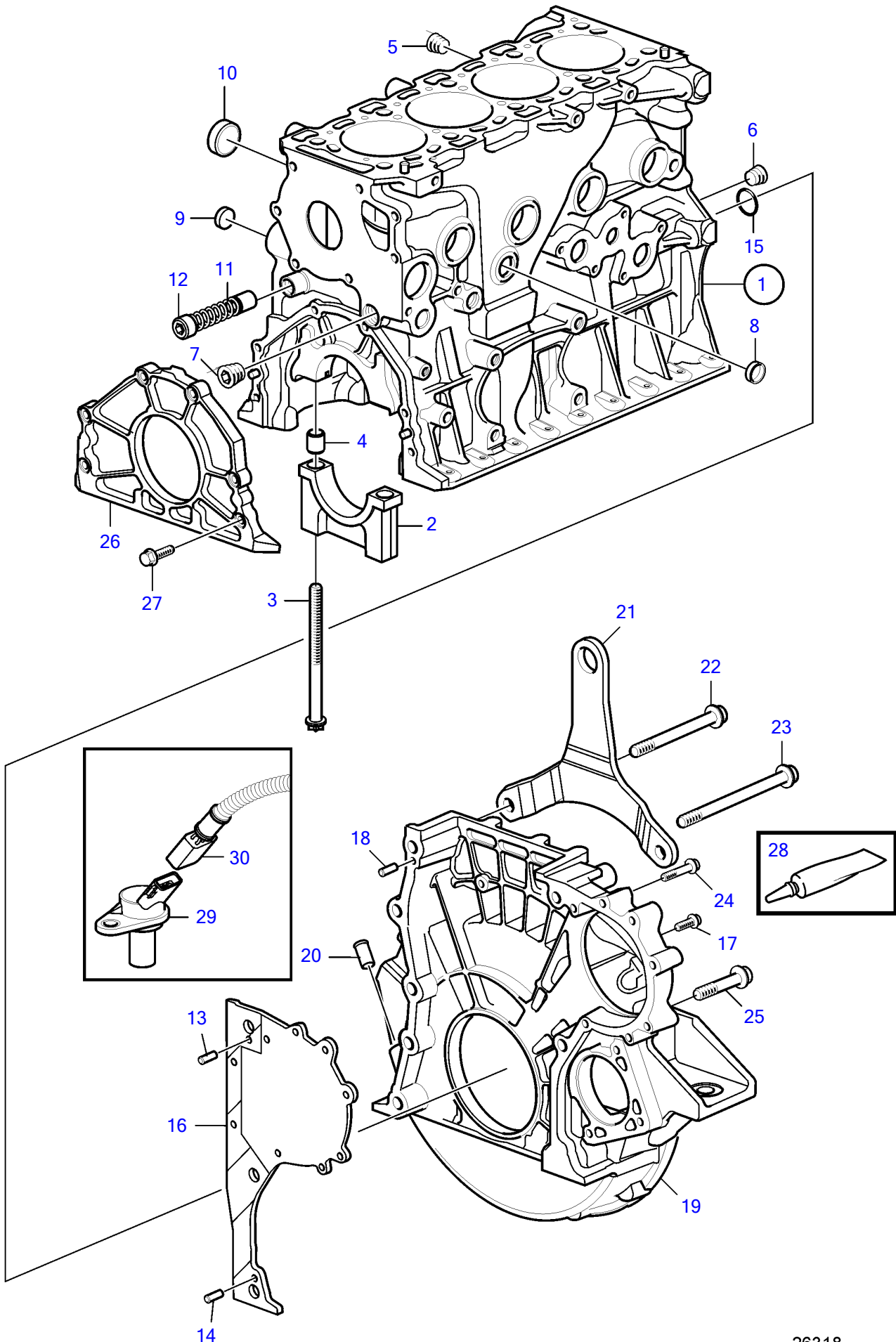


D4-180I-F, D4-225A-F, D4-225I-F, D4-260A-F, D4-260D-F, D4-260I-F, D4-300A-F, D4-300D-F, D4-300I-F



D4-180I-F, D4-225A-F, D4-225I-F, D4-260A-F, D4-260D-F, D4-260I-F, D4-300A-F, D4-300D-F, D4-300I-F

REF	PART NO.	QTY	DESCRIPTION
1		1	Cylinder block
2		5	• Main bearing cap
3	21384457	10	• Flange screw
4	3584214	10	• Guide sleeve
5	968061	1	• Plug
6	968063	2	• Plug
7	979947	2	• Plug
8	3583447	1	• Expansion plug
9	24426721	4	• Expansion plug
10	24426722	9	• Expansion plug
11	3583079	1	• Piston cooling valve
12	982121	1	• Plug
13	950562	1	Pin
14	950566	1	Pin
15	3843507	1	O-ring
16	3582847	1	Plate
17	946173	2	Flange screw
18	950564	5	Pin
19	40005732	1	Flywheel housing
20	3583622	1	Hose connection
21		1	Lifting eye
22	984867	1	Flange screw
23	966368	2	Flange screw
24	994441	3	Flange screw
25	984859	5	Flange screw
26	3582750	1	Cardboard tube
27	946671	6	Flange screw
28	1161771	X	Sealing compound
29	21426987	1	• Speed sensor
30	21138237	1	• Wiring harness