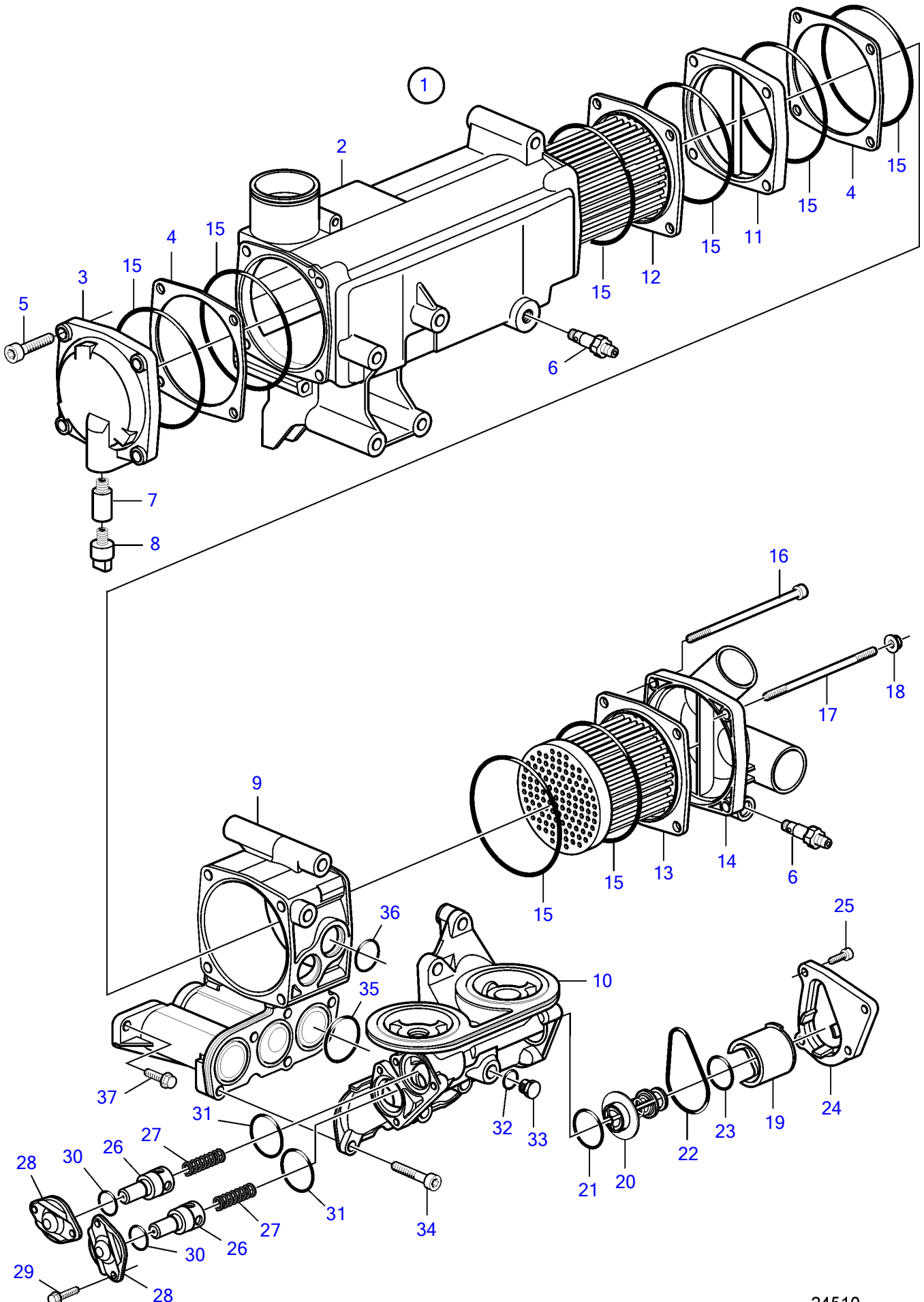


D4-180I-F, D4-225A-F, D4-225I-F, D4-260A-F, D4-260D-F, D4-260I-F, D4-300A-F, D4-300D-F, D4-300I-F



D4-180I-F, D4-225A-F, D4-225I-F, D4-260A-F, D4-260D-F, D4-260I-F, D4-300A-F, D4-300D-F, D4-300I-F

REF	PART NO.	QTY	DESCRIPTION	NOTES
1	40005711	1	Heat exchanger	
2	3812561	1	▪ Housing	
3	3583641	1	▪ End cover	
4	3583646	2	▪ Spacer	
5	959223	4	▪ Hex. socket screw	
6	3583822	2	▪ Draining nipple	
7	838929	1	▪ Anode	
8	838928	1	▪ Plug	
9	40005783	1	▪ Housing	(3583643)
10	3584419	1	▪ Housing	
11	3583642	1	▪ Spacer	
12	3583644	1	▪ Tube	
13	40005784	1	▪ Tube	(40005780)
14	3595407	1	▪ End cover	(3583640)
15	3583647	8	▪ O-ring	
16	21122819	2	▪ Hex. socket screw	
17	3583650	2	▪ Stud	
18	945408	2	▪ Flange nut	
19	3583829	1	▪ Retainer	
20		1	▪ Thermostat	Including in kit 3588437
21	3583830	1	▪ O-ring	
22	3583831	1	▪ O-ring	
23	3583832	1	▪ O-ring	
24	3583828	1	▪ Cover	
25	947542	4	▪ Flange screw	
26	21068158	2	▪ Reduction valve	(471706)
27	469332	2	▪ Spring	
28	471648	2	▪ Cover	
29	947542	4	▪ Flange screw	
30	469846	2	▪ Sealing ring	
31	982193	2	▪ O-ring	
32	947282	1	▪ Gasket	
33	960629	1	▪ Plug	
34	959222	5	▪ Hex. socket screw	
35	866690	3	▪ O-ring	
36	3885174	2	▪ O-ring	
37	945444	3	Flange screw	