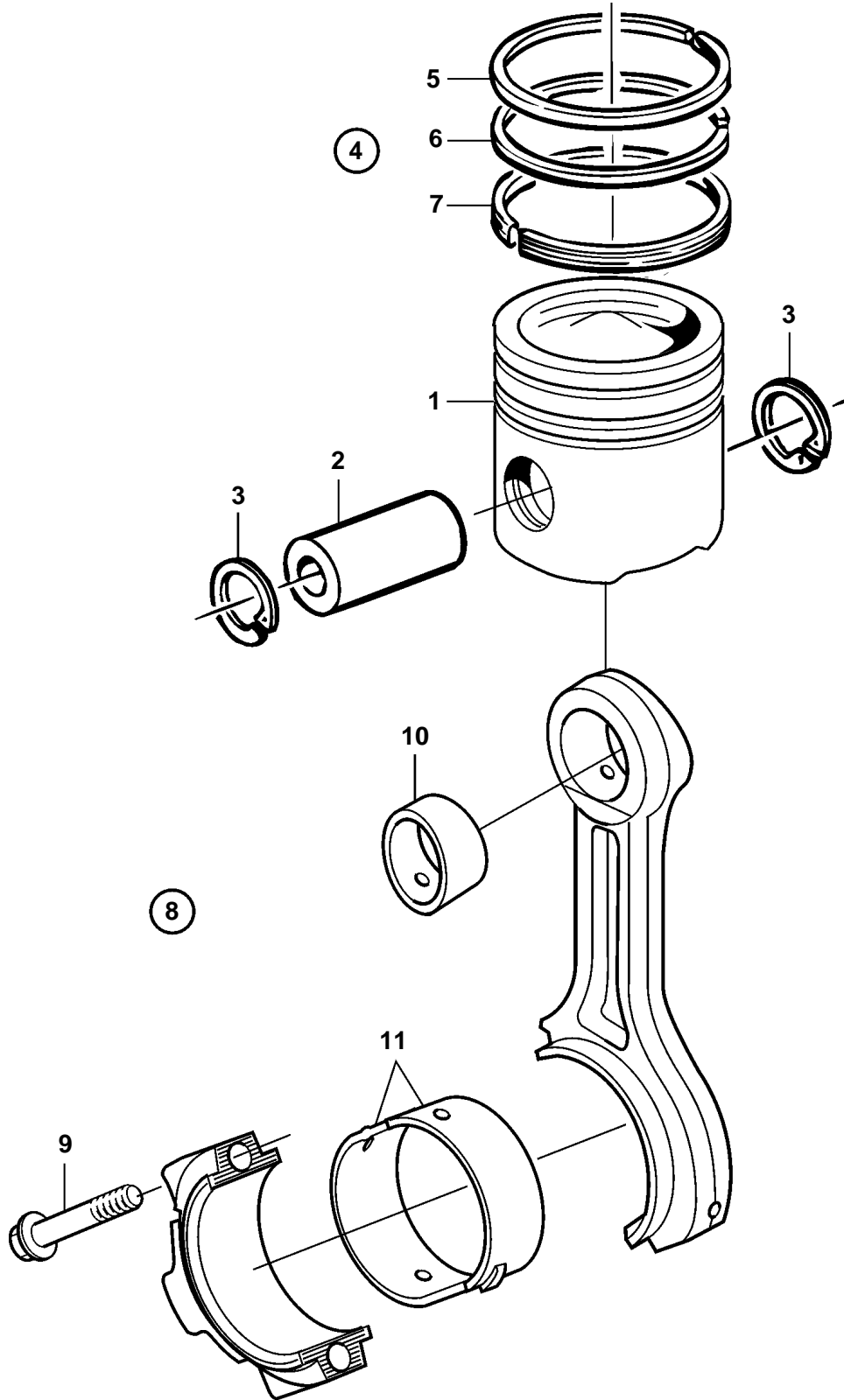


D34A-MT, D34A-MS



D34A-MT, D34A-MS

REF	PART NO.	QTY	DESCRIPTION	NOTES
1	3834196	12	Piston	
2	3836835	12	Piston pin	
3	3832043	24	Snap ring	
4	3834347	12	Piston ring kit	
5		12	· Piston ring	
6		12	· Piston ring	
7		12	· Piston ring	
8	3833209	12	Connecting rod	Class A=7,1kg
	3833210	12	Connecting rod	REPL BY 888190. Class B=7,2kg
	888190	12	Connecting rod	Class B=7,2kg
	3833211	12	Connecting rod	Class C=7,3kg
	3833212	12	Connecting rod	REPL BY 888193. Class D=7,4kg
	888193	12	Connecting rod	Class D=7,4kg
	3833213	12	Connecting rod	Class E=7,5kg
	3833214	12	Connecting rod	Class F=7,6kg
	3833215	12	Connecting rod	Class G=7,7kg
	3833216	12	Connecting rod	Class H=7,8kg
9	3832269	24	· Connecting rod bolt	
10	3837071	12	· Bushing	
11	3836472	24	Rod bearing	STD
	3836836	24	Rod bearing	O.S=0,25mm
	3836837	24	Rod bearing	O.S=0,50mm
	3836838	24	Rod bearing	O.S=0,75mm
	3836839	24	Rod bearing	O.S=1,00mm