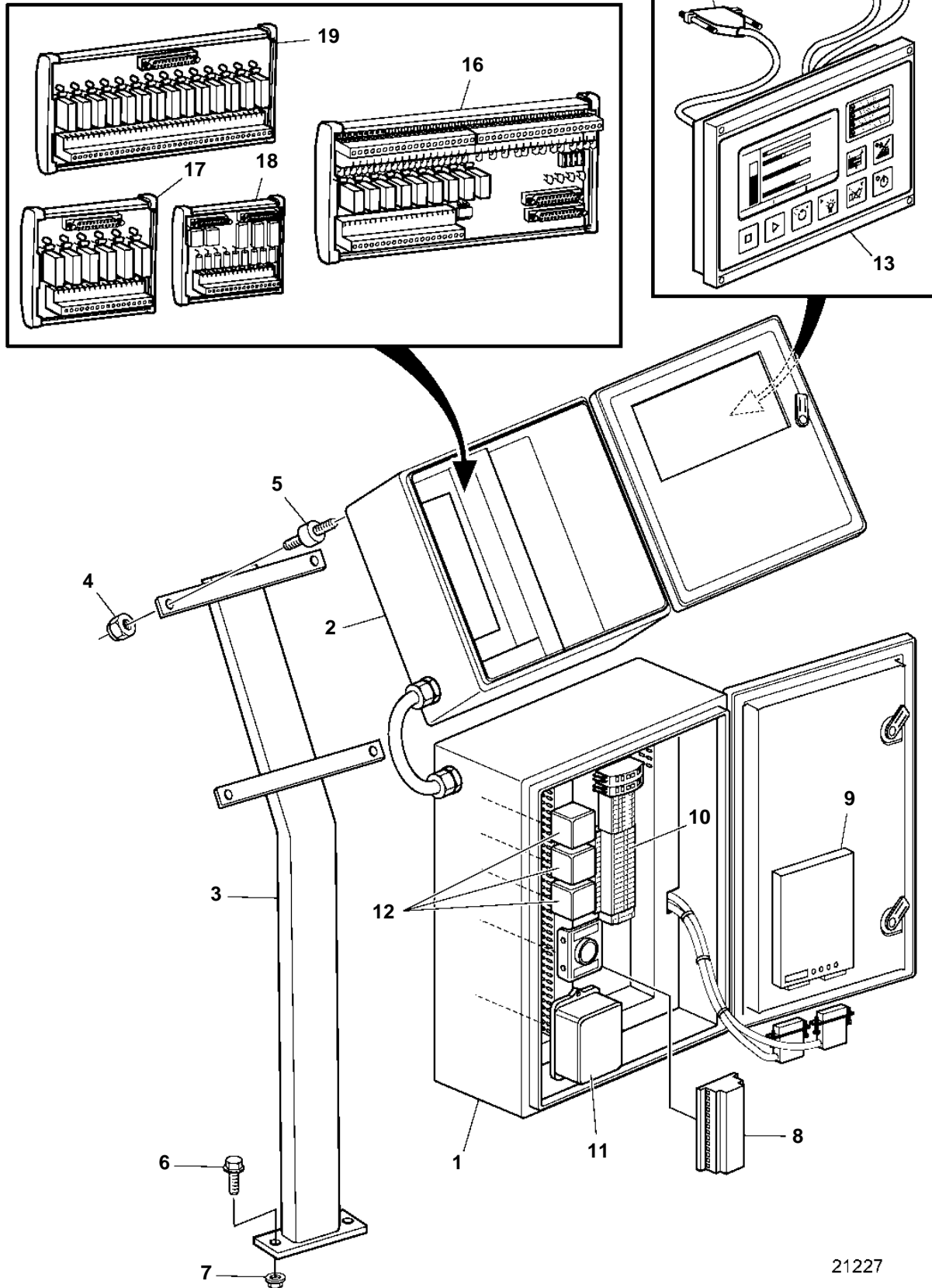


D34A-MT, D34A-MS



21227

## D34A-MT, D34A-MS

| REF | PART NO. | QTY | DESCRIPTION     | NOTES   |
|-----|----------|-----|-----------------|---|
| 1   |          | 1   | Coupling box    |   |
| 2   | 3830520  | 1   | Box             |   |
| 3   | 3807183  | 1   | Bracket         |   |
| 4   | 948645   | 8   | Lock nut        |   |
| 5   | 863415   | 4   | Rubber cushion  |   |
| 6   | 965193   | 2   | Screw           |   |
| 7   | 971099   | 2   | Flange lock nut |   |
| 8   | 881905   | 1   | Electronic unit |   |
| 9   | 881661   | 1   | Electronic unit |   |
| 10  | 881886   | 1   | Terminal block  |   |
| 11  | 881795   | 1   | Wiring harness  | SOCKET A  |
|     | 881796   | 1   | Wiring harness  | SOCKET B  |
| 12  | 881885   | 1   | Wiring harness  |   |
| 13  |          | 1   | Control unit    | For spare part, contact your local Volvo Penta dealer.        |
| 14  | 874163   | 2   | Wiring harness  | 25-pin D-SUB  |
| 15  | 874166   | 1   | Wiring harness  | 15-pin D-SUB  |
| 16  |          | 1   | Terminal        | RK-66. For spare part, contact your local Volvo Penta dealer. |
| 17  | 874165   | 1   | Relay           | MK-6  |
| 18  | 874243   | 1   | Relay           | AK-6  |
| 19  | 874164   | 1   | Relay           | MK-14   |