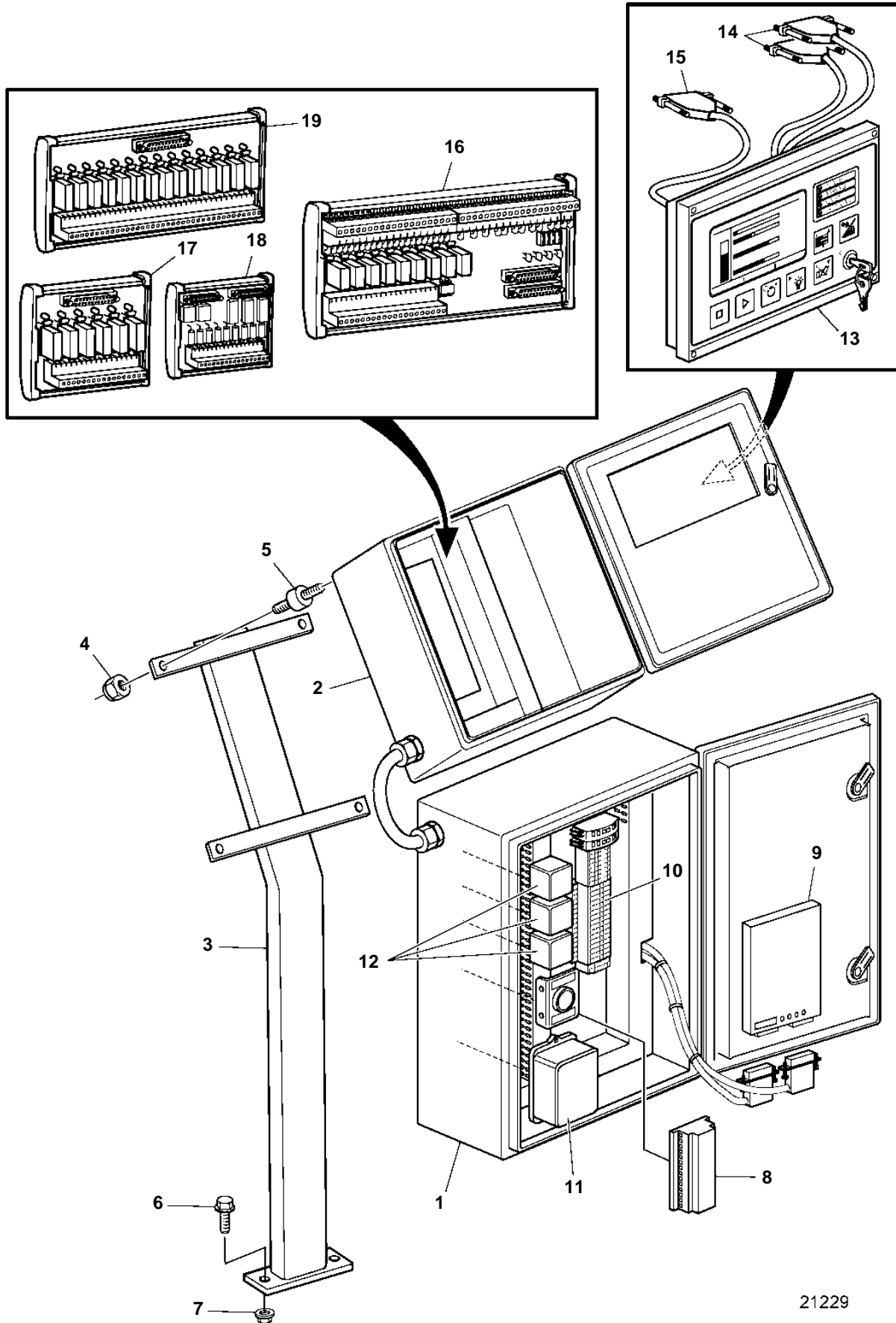


D34A-MT, D34A-MS



21229

D34A-MT, D34A-MS

REF	PART NO.	QTY	DESCRIPTION	NOTES
1		1	Coupling box	
2	3830520	1	Box	
3	3807183	1	Bracket	
4	948645	8	Lock nut	
5	863415	4	Rubber cushion	
6	965193	2	Screw	
7	971099	2	Flange lock nut	
8	881905	1	Electronic unit	
9	881661	1	Electronic unit	
10	881886	1	Terminal block	
11	881795	1	Wiring harness	SOCKET A
	881796	1	Wiring harness	SOCKET B
12	881885	1	Wiring harness	
13	874282	1	Control unit	
14	874163	2	Wiring harness	25-pin D-SUB
15	874166	1	Wiring harness	15-pin D-SUB
16	874162	1	Terminal	RK-60
17	874165	1	Relay	MK-6
18	874243	1	Relay	AK-6
19	874164	1	Relay	MK-14