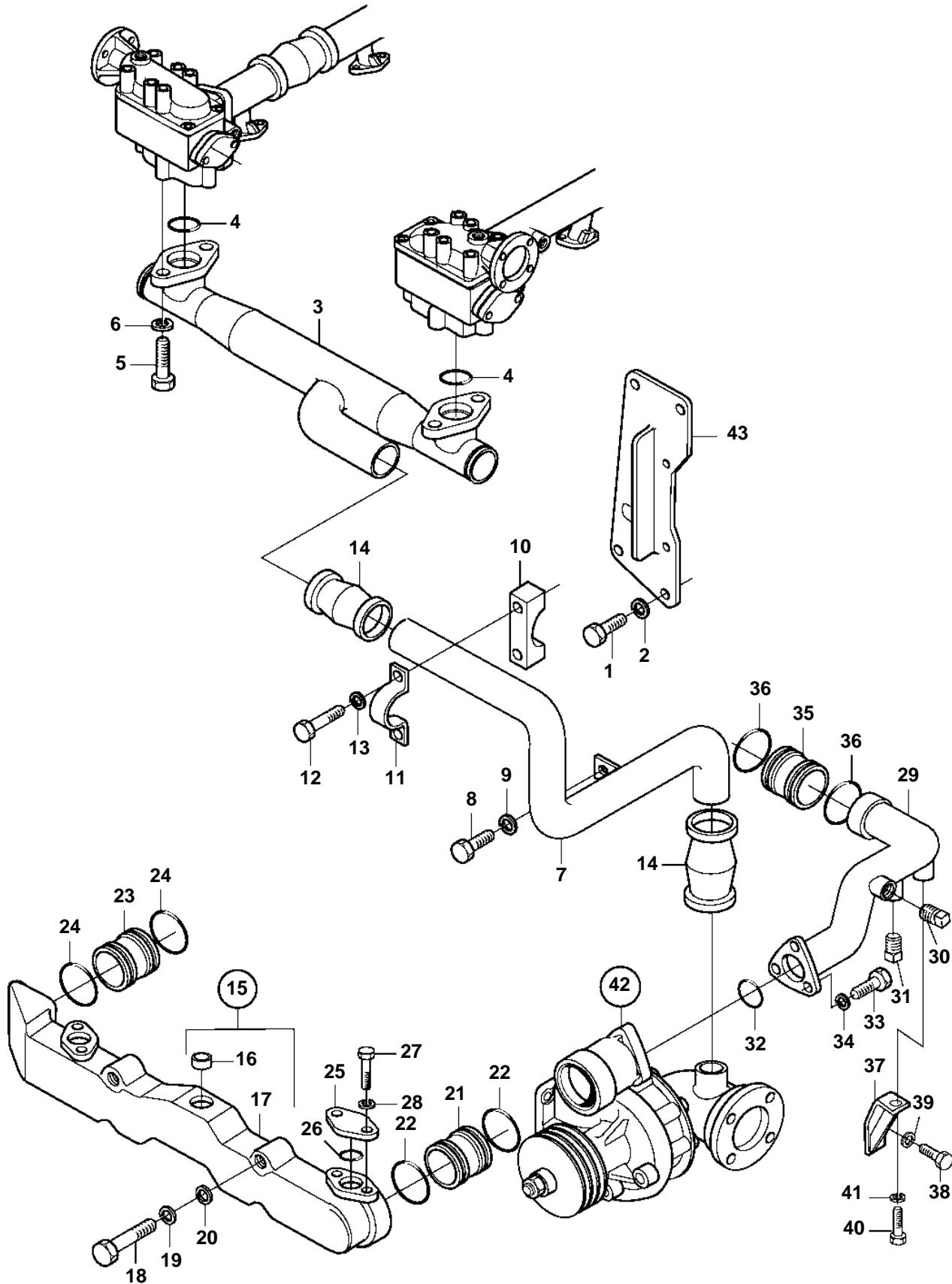


D34A-MT



18804

D34A-MT

REF	PART NO.	QTY	DESCRIPTION	SEE SEC.
1	3831603	3	Screw	
2	3832245	3	Spring washer	
3	3834190	1	Water pipe	
4	3831974	2	O-ring	
5	3832044	4	Screw	
6	3832233	4	Spring washer	
7	3833998	1	Tube	
8	3831605	1	Screw	
9	3832245	1	Spring washer	
10	3833000	1	Bracket	
11	3833179	1	Clamp	
12	3831547	2	Screw	
13	3832233	2	Spring washer	
14	3833296	2	Clutch	
15	3833990	1	Water pipe	
16	3833116	4	· Cap	
17		1	· Water pipe	
18	3831615	4	Screw	
19	3832245	4	Spring washer	
20	3832218	4	Washer	
21	3833674	1	Joint	
22	3831972	2	O-ring	
23	3833673	1	Joint, oil cooler	
24	3832288	2	O-ring	
25	3833327	1	Cover	
26	3832288	1	O-ring	
27	3831603	2	Screw	
28	3832245	2	Spring washer	
29	3836957	1	Water pipe	
30	3836541	1	Plug	
31	3832104	1	Plug	
32	3832289	1	O-ring	
33	3831575	3	Screw	
34	3832233	3	Spring washer	
35	3833673	1	Joint, cylinder block	
36	3832288	2	O-ring	
37	3836958	1	Stay	
38	3836956	2	Screw	
39	3832233	2	Spring washer	
40	3832041	1	Screw	
41	3832225	1	Spring washer	
42	3838185	1	Circulation pump	
				6034
43	3836950	1	Stay	
				5198