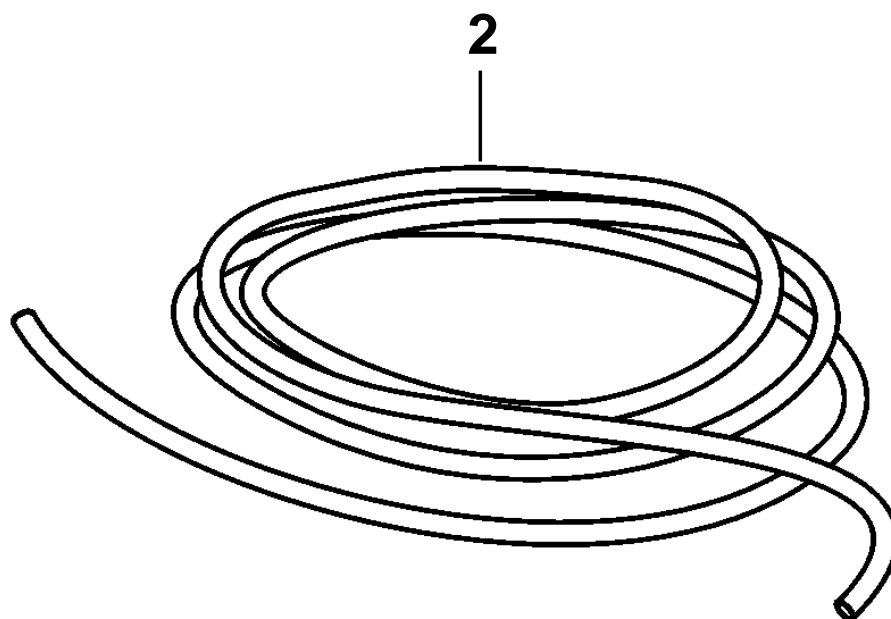
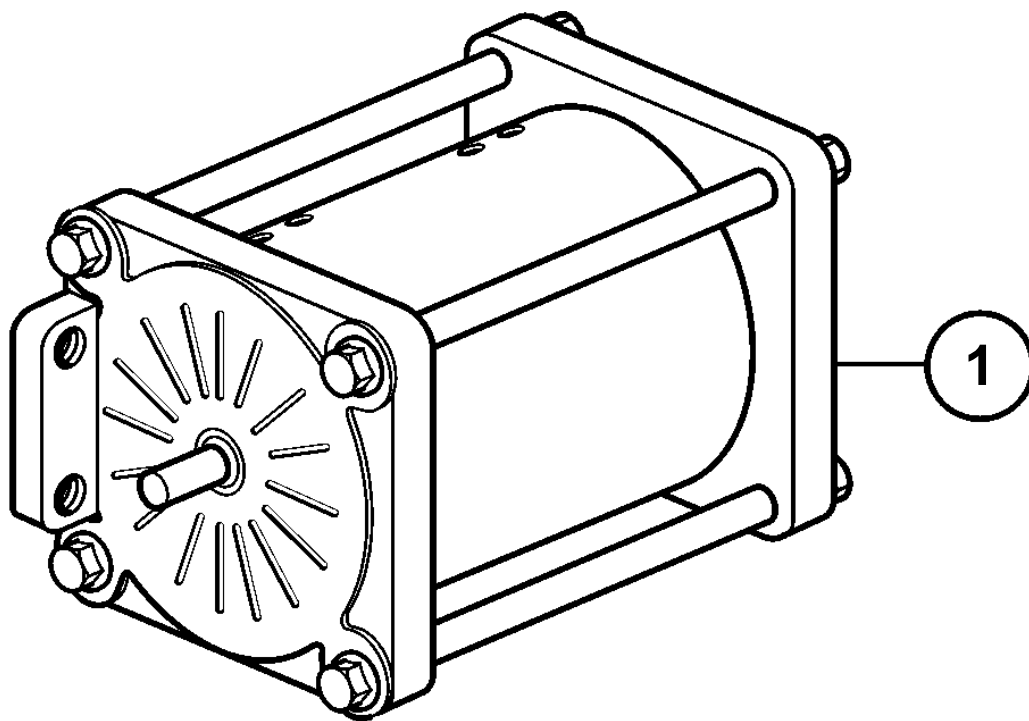


D34A-MT AUX, D34A-MS AUX



D34A-MT AUX, D34A-MS AUX

REF	PART NO.	QTY	DESCRIPTION	NOTES
1	3838272	1	Actuator	
2	874934	1	Cable kit	L=13.0' (4.0m)