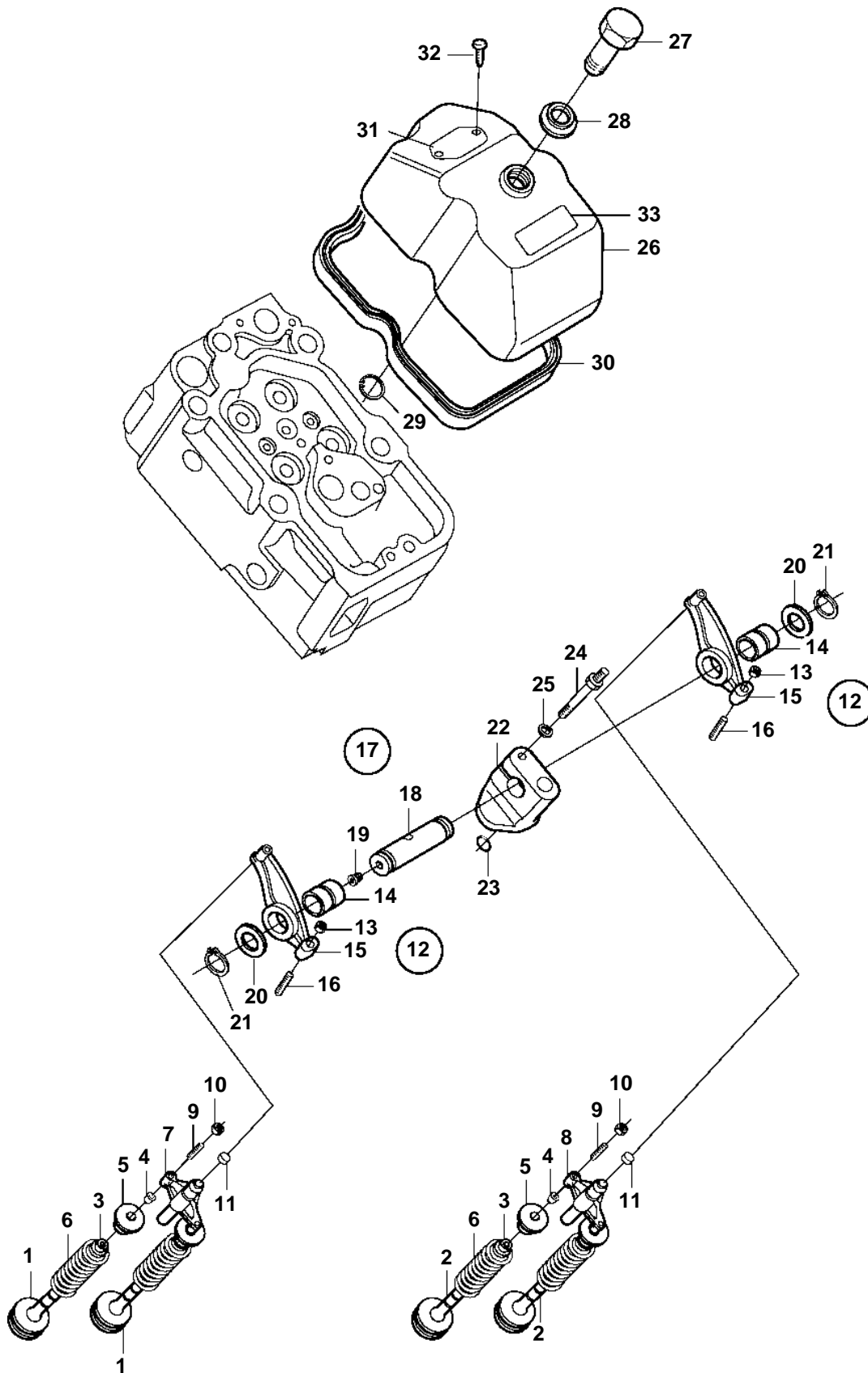


D34A-MT AUX, D34A-MS AUX



D34A-MT AUX, D34A-MS AUX

| REF | PART NO. | QTY | DESCRIPTION |
|-----|----------|-----|----------------------------|
| 1 | 3834835 | 24 | Inlet valve, cylinder head |
| 2 | 3834834 | 24 | Exhaust valve |
| 3 | 3831664 | 48 | Valve stem seal |
| 4 | 3831632 | 96 | Valve collet |
| 5 | 3831710 | 48 | Rotator |
| 6 | 3834666 | 48 | Valve spring |
| 7 | 3833076 | 12 | Fork |
| 8 | 3833075 | 12 | Fork |
| 9 | 3831689 | 24 | Adjusting screw |
| 10 | 3832203 | 24 | Nut |
| 11 | 3831613 | 24 | Cap |
| 12 | 3834374 | 24 | Rocker arm |
| 13 | 3832204 | 24 | · Nut |
| 14 | 3833096 | 24 | · Bushing |
| 15 | | 24 | · Rocker arm |
| 16 | 3831688 | 24 | · Adjusting screw |
| 17 | 3834496 | 12 | Rocker arm shaft |
| 18 | | 12 | · Rocker arm shaft |
| 19 | 3832334 | 12 | · Plug |
| 20 | 3834858 | 24 | Washer |
| 21 | 3832021 | 24 | Snap ring |
| 22 | 3833064 | 12 | Bracket |
| 23 | 3831559 | 12 | O-ring |
| 24 | 3832242 | 12 | Screw |
| 25 | 3832245 | 12 | Spring washer |
| 26 | 3833393 | 12 | Cover |
| 27 | 3834412 | 12 | Screw |
| 28 | 3833520 | 12 | Gasket |
| 29 | 3834360 | 12 | Snap ring |
| 30 | 3833949 | 12 | Gasket |
| 31 | | 1 | Sign |
| 32 | 3834373 | 2 | Rivet |
| 33 | | 1 | Sign |