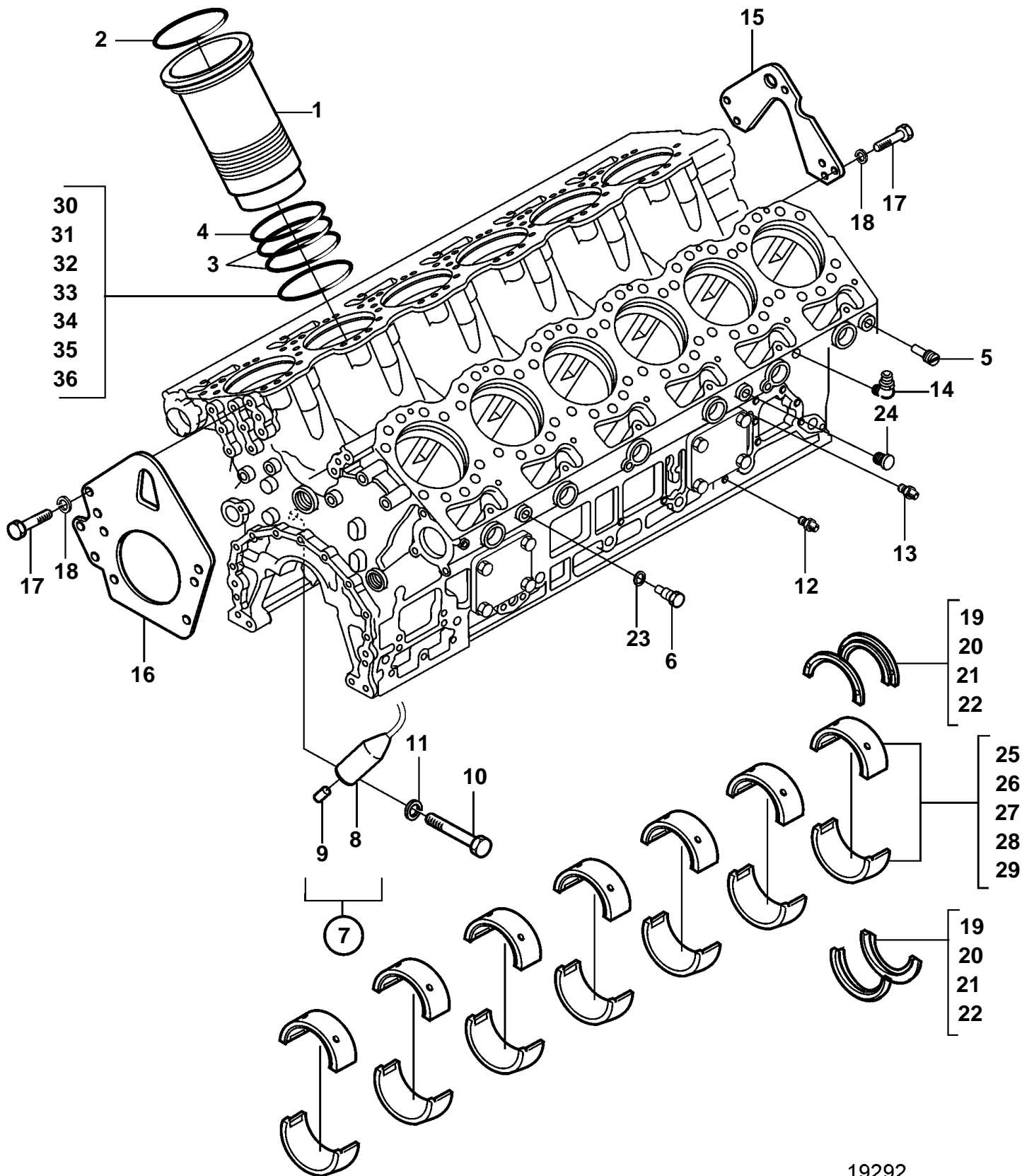


D34A-MT AUX, D34A-MS AUX



19292

## D34A-MT AUX, D34A-MS AUX

REF	PART NO.	QTY	DESCRIPTION	NOTES
1	3836471	12	Cylinder liner	
2	3833856	12	O-ring	
3	3833854	24	O-ring	
4	3833855	12	O-ring	
5	3834408	4	Screw	
6	3834409	10	Screw	
7	3833796	12	Valve	
8		12	Piston cooling valve	
9	3834821	12	Valve	
10	3832338	12	Screw	
11	3832233	12	Spring washer	
12	3833259	2	Connector	
13	3832130	1	Connector	
14	3832115	1	Elbow union	
15		1	Anchorage	
16		1	Anchorage	
17	3831605	6	Screw	
18	3832245	6	Spring washer	
19	3834244	4	Pressure plate	STD
20	3834245	4	Pressure plate	O.S=0,25mm
21	3834246	4	Pressure plate	O.S=0,50mm
22	3834247	4	Pressure plate	O.S=0,75mm
23	3831587	10	Sealing washer	
24	3831858	10	Plug	
25	3836812	7	Main bearing	STD
26	3836813	7	Main bearing	U.S=0,25mm
27	3836814	7	Main bearing	U.S=0,50mm
28	3836815	7	Main bearing	U.S=0.75mm
29	3836816	7	Main bearing	U.S=1.00mm
30	3837518	X	Shim	TH=0,05mm
31	3837514	X	Shim	TH = 0,10mm
32	3837519	X	Shim	TH = 0.15mm
33	3837515	X	Shim	TH=0,20mm
34	3837520	X	Shim	TH = 0,25mm
35	3837516	X	Shim	TH = 0,30mm
36	3837517	X	Shim	TH=0,40mm