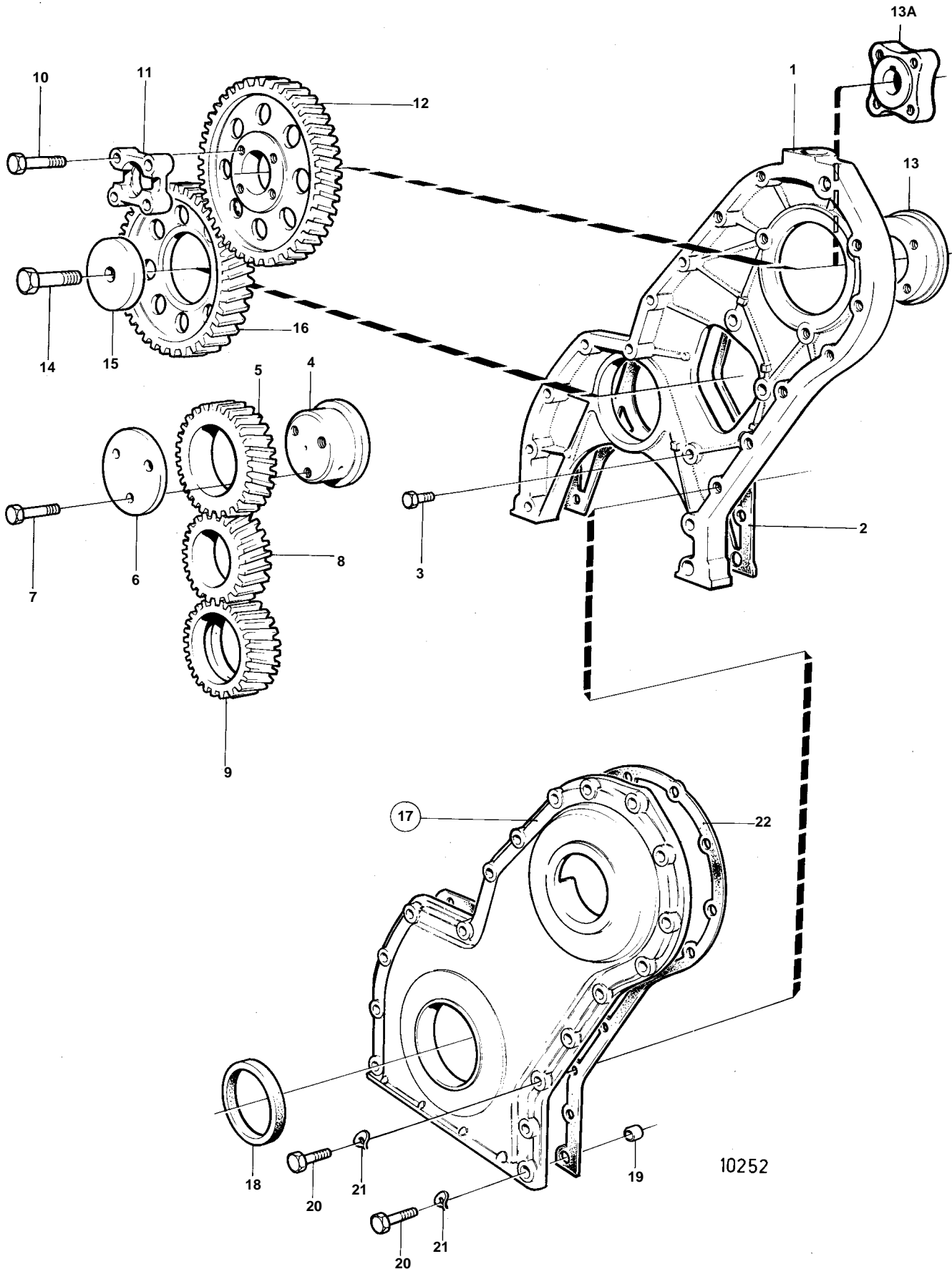


MD31A,TMD31,TAMD31A



MD31A,TMD31,TAMD31A

REF	PART NO.	QTY	DESCRIPTION	SEE SEC.	NOTES
1	838655	1	Timing gear casing		
2	859039	1	Gasket	IK	(1542219)
3	946173	3	Flange screw		L = 20 MM
	946671	1	Flange screw		L = 30 MM
4	838997	1	Pin		
5	1542061	1	Gear		
6	1542065	1	Thrust washer		
7	965180	3	Flange screw		
8	1542305	1	Gear	02A-2900	
9	1542215	1	Gear		
10	955299	4	Screw		
11	829523	1	Companion flange		
12	838657	1	Gear		
13	838676	1	Hub		REPL BY 859601
13A	859601	1	Hub		
14	965193	1	Screw		
15	1542223	1	Washer	02A-3400	
16	1542034	1	Gear	02A-3400	
17	843086	1	Cover	02A-3400	
18	1542318	1	· Sealing ring	IK	
19	415311	2	· Sleeve		
20	946470	7	Flange screw		L = 35 MM
	948217	1	Flange screw		L = 45 MM
	965179	1	Flange screw		L = 50 MM
	965180	1	Flange screw		L = 60 MM
	965181	5	Screw		L = 70 MM
	965182	2	Flange screw		L = 80 MM
	100222	1	Screw		L = 85 MM
21	941907	13	Spring washer		
22	859038	1	Gasket	IK	