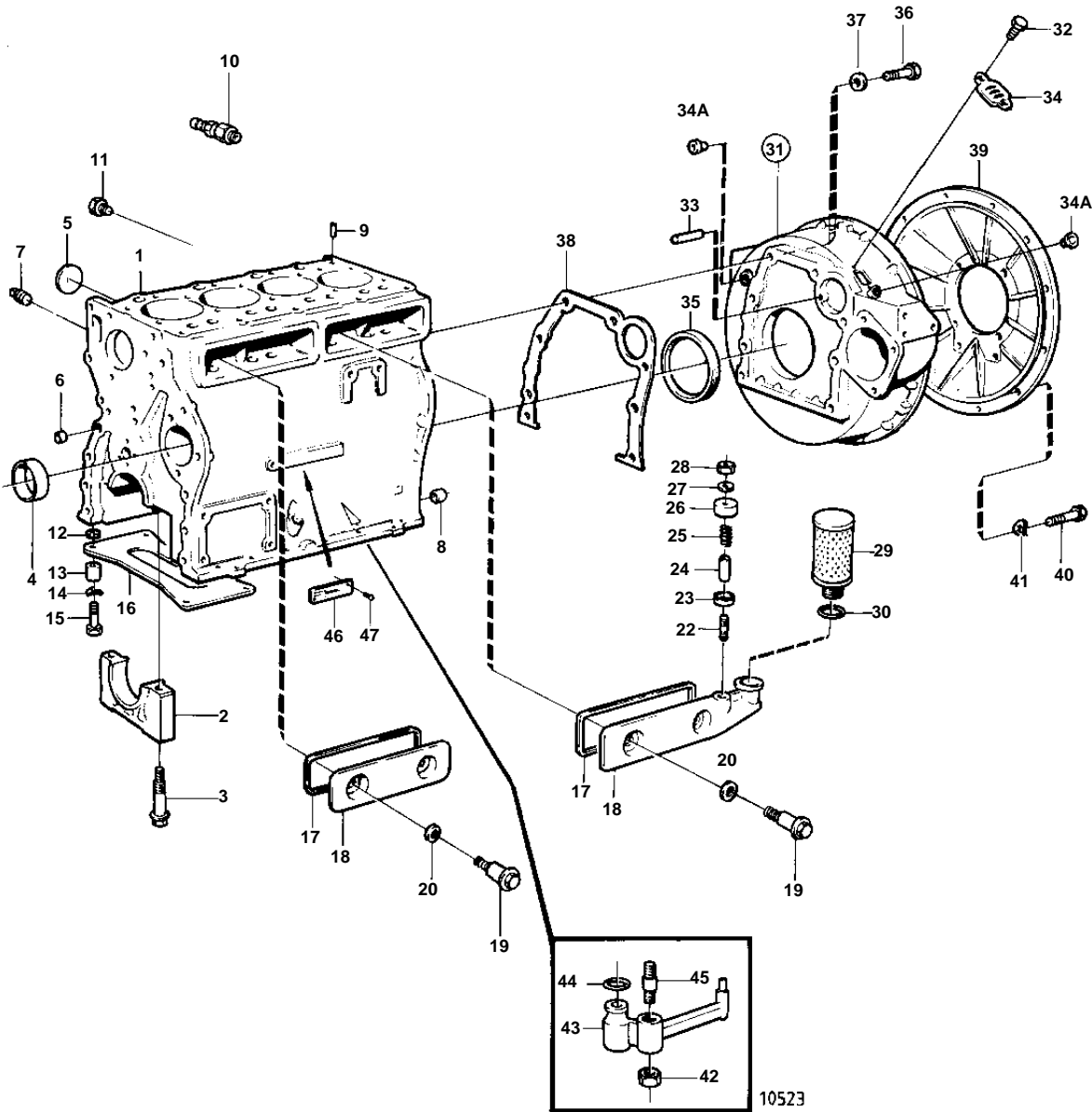


TMD31B,TAMD31B



TMD31B,TAMD31B

REF	PART NO.	QTY	DESCRIPTION	SEE SEC.	NOTES
1	860257	1	Cylinder block		
2		5	· BEARING CAP	02A-3050	
3	1542416	10	· Screw		
4	1542067	5	· Bushing	02A-3550	
5	463905	2	· Expansion plug		
6	955083	4	· Cap plug		
7	952077	2	Plug		
8	415311	3	Sleeve		
9	946402	2	Pin		
10	947893	1	Drain cock		
11	191026	2	Plug		
12	1545204	4	Spacer sleeve		
13	1545160	4	Spacer sleeve		
14	941908	4	Spring washer		
15	965187	4	Screw		
16		1	BRACKET		
17	1542052	2	Rubber seal		
18	1542050	1	Inspection lid		
19	859447	4	Shoulder screw		
20	469846	4	Sealing ring		
21	838763	1	Crankcase ventilatio		
22	924058	1	Stud		
23	842972	1	Valve disc		
24	842974	1	Spacer sleeve		
25	843905	1	Spring		
26	842975	1	Cover		
27	858570	1	Seal		
28	949278	1	Lock nut		
29	876069	1	Filter		
30	843449	1	· Gasket		
31	860291	1	Flywheel housing		REPL BY 860690
	860690	1	Flywheel housing		
32	965175	2	· Screw		
33	404069	1	· Setting indicator		
34	407092	1	· Cover		
34A	860926	2	· Plug		
35	860431	1	Sealing ring		
36	965185	6	Flange screw		L = 40 MM
	965220	2	Flange screw		L = 45 MM
37	941908	8	Spring washer		
38	829487	1	Gasket		
39	829489	1	Cover		
40	946752	11	Flange screw		
41	941908	11	Spring washer		
42	946035	4	Lock nut		
43	1542320	4	Oil jet		
44	955981	4	O-ring		
45	1542380	4	Stud		
46		1	ENGINE SIGN		
47	950885	2	Drive screw		