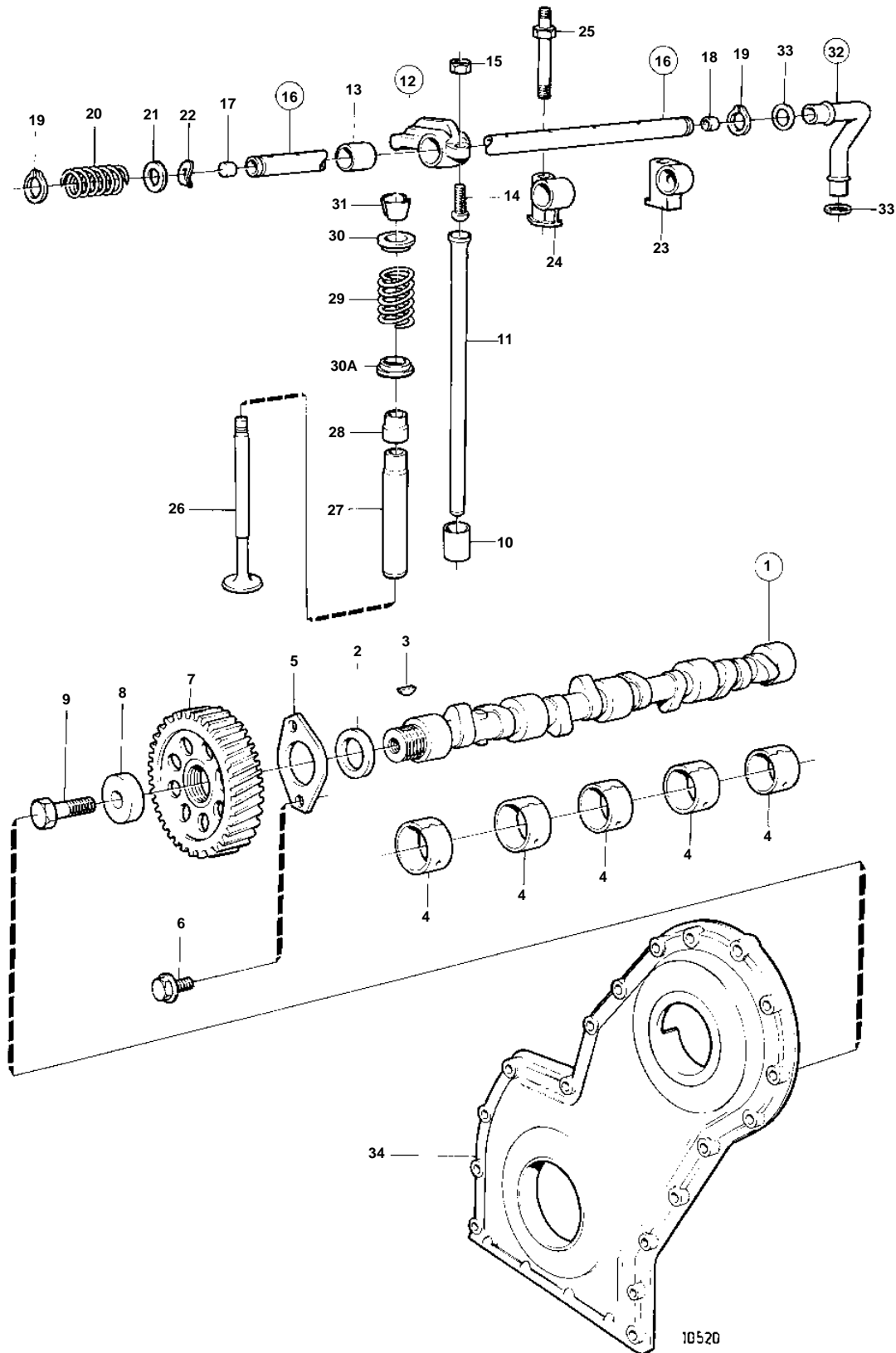


MD31A,TMD31A,TAMD31A



MD31A,TMD31A,TAMD31A

REF	PART NO.	QTY	DESCRIPTION	SEE SEC.	NOTES
1	838630	1	Camshaft		
2	1542221	1	· Spacer washer		
3	910116	1	· Key		
4	1542067	5	Bushing	02A-2400	
5	838992	1	Thrust washer		
6	946440	2	Flange screw		
7	1542034	1	Gear	02A-3900	
8	1542223	1	Washer	02A-3900	
9	965193	1	Screw		
10	1542208	8	Tappet		
11	838636	8	Push rod		
12	418301	4	Rocker arm		NO. 1,3,5,7
	418298	4	Rocker arm		NO. 2,4,6,8
13	418297	8	· Bushing		
14	418286	8	· Ball stud		
15	921781	8	· Nut		
16	838641	1	Rocker arm shaft		
17	955083	1	· Cap plug		
18	840444	1	· Sleeve		
19	914456	2	Lock ring		
20	411139	3	Spring		
21	400722	2	Washer		
22	840686	2	Washer		
23	838726	1	Bearing bracket		
24	838647	3	Bearing bracket		
25	838732	4	Stud		
26	838637	4	Inlet valve		
	838638	4	Exhaust valve		
27	419653	8	Valve guide	02A-2100	
28	859171	8	Valve stem seal		INLOPP/INLET
29	1545198	8	Valve spring		
30	838639	8	Spring washer		
30A	1332137	8	Valve spring washer		
31	465284	16	Lock		
32	860686	1	Intermediate pipe		
33	969198	2	· O-ring		
34		X	TIMING GEAR COVER AND GEARS	02A-3900	