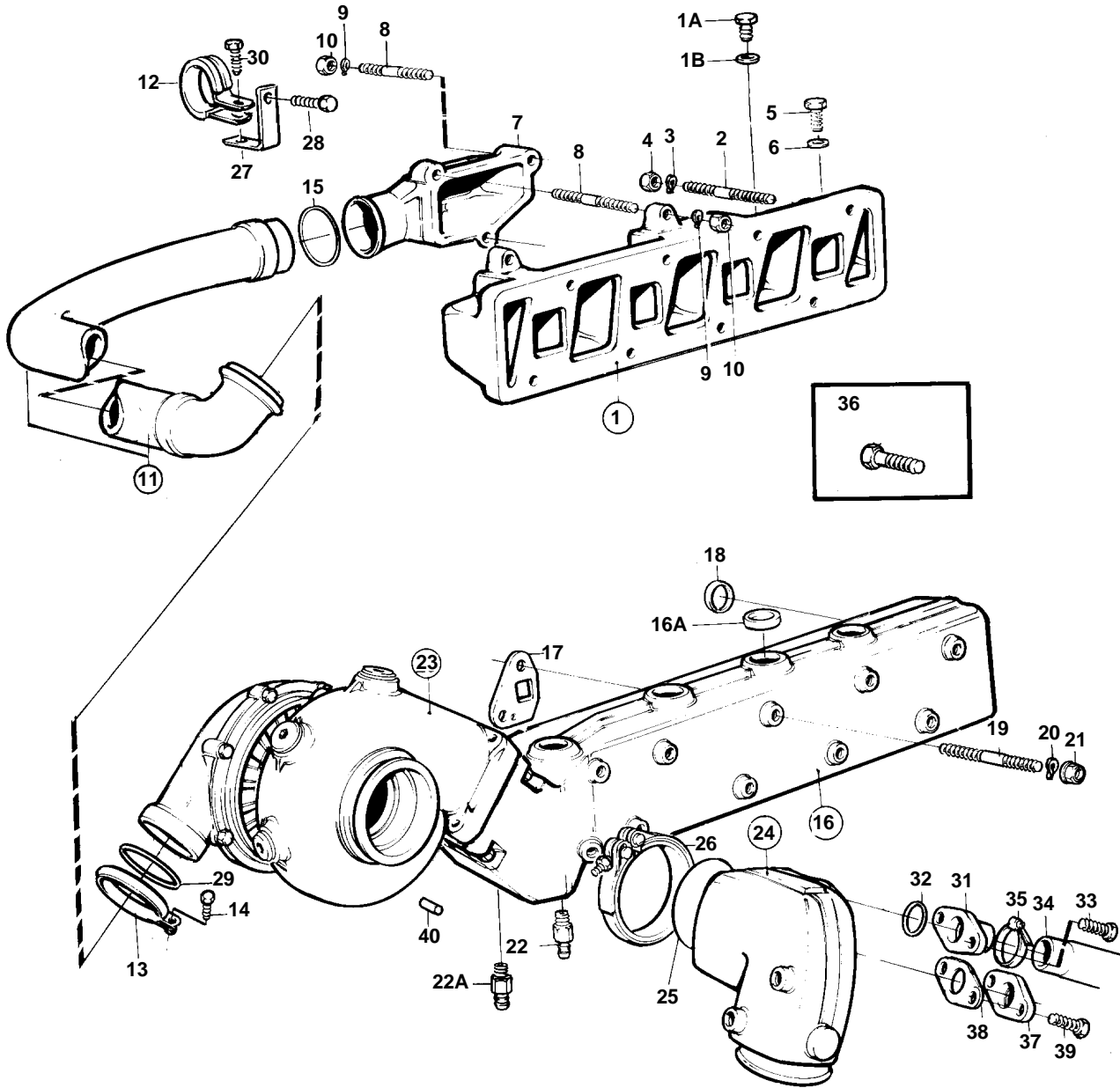


TMD31A



10283

TMD31A

REF	PART NO.	QTY	DESCRIPTION	SEE SEC.	NOTES
1	838689	1	Inlet pipe		
	859299	1	Inlet pipe		
1A	960634	2	· Plug		FOR 859299
1B	947627	2	· Gasket		FOR 859299
2	924068	6	Stud		
3	941907	6	Spring washer		
4	945408	6	Flange nut		
5	960632	1	Plug		
6	947624	1	Gasket		
7	838857	1	Pipe connection		
8	17942	2	Stud		L = 110 MM
	953049	1	Stud		L = 50 MM
9	941907	3	Spring washer		
10	945408	3	Flange nut		
11	838867	1	Connection pipe		
12	32447	1	· Clamp		
13	838864	1	Clamp		
14	947542	1	Screw		
15	471449	1	Sealing ring		
16	860460	1	Exhaust pipe		
16A	946780	8	· Cap plug		
17	838673	4	Gasket		REPL BY 876144
	876144	2	Gasket kit		
18	838766	1	Sealing ring		
19	952999	4	Stud		L = 110 MM
	953001	2	Stud		L = 120 MM
	953003	1	Stud, STUD BOLT		L = 130 MM
	953007	1	Stud, STUD BOLT	02B-0850	L = 150 MM
				02B-0850	
20	941908	8	Spring washer		
21	971095	8	Nut		
22	949918	1	Drain cock		
22A	949918	1	Drain cock		
23		1	TURBO	02B-2035	
24	858481	1	Exhaust riser, EXHAUST BEND		
			Bulletin 44-16	44-16-EN	Overhaul kit, Exhaust Bend
24				02B-2355	
25	859052	1	Gasket		(845408)
26	842993	1	Clamp		
27	838866	1	Bracket		
28	946470	1	Flange screw		
29	967944	1	O-ring		
30	946173	1	Flange screw		
31	858659	1	Hose connection		
32	842913	1	Sealing ring		
33	946544	2	Flange screw		
34	944386	1	Hose		L = 335 MM. HEAT EXCHANGER-EXHAUST PIPE.
35	943475	1	Hose clamp		
36	970964	1	Screw		(955964)
37	844093	1	Flange		
38	859002	1	Gasket		(843042)
39	946544	2	Flange screw		
40	951930	1	Spring pin		